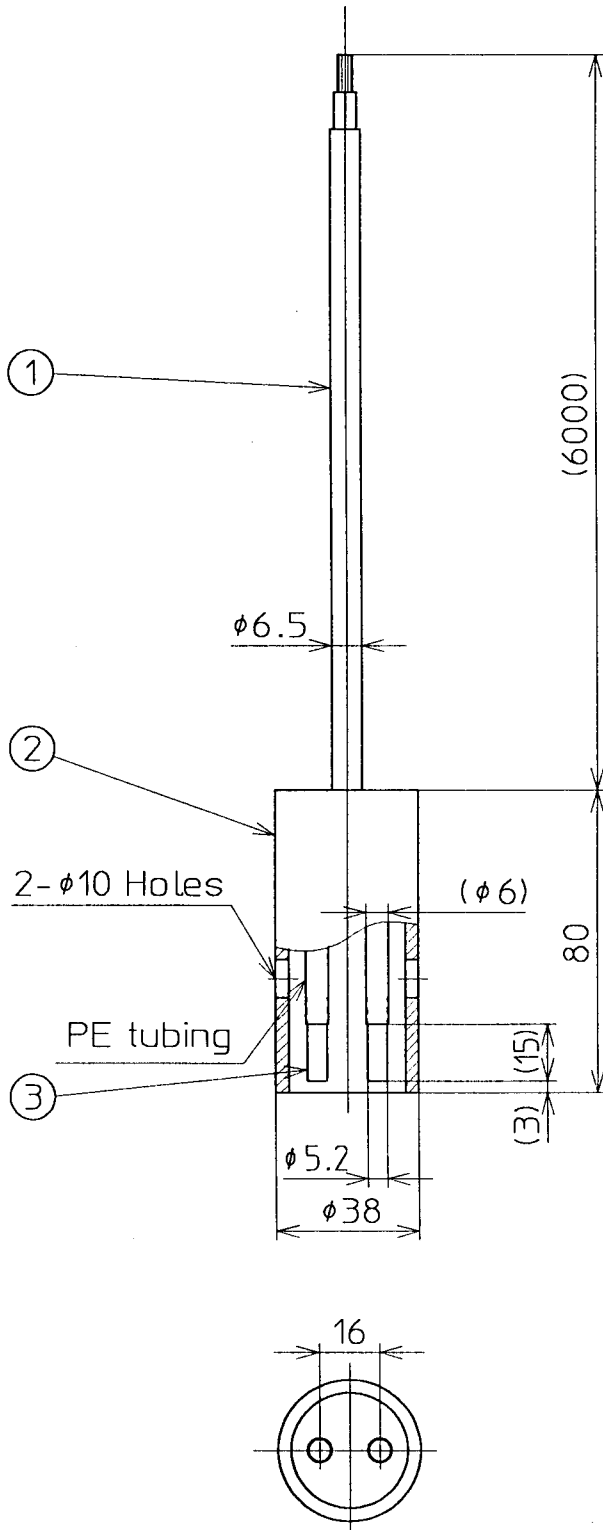


REVISIONS				
REV	DATE	DESCRIPTION	BY	APP. BY
△				
△				
△				

DRAWING NO. CA 144032



Tag NO.	Qty.

Working temperature :-20 to +50 °c

3	Electrode rod	2	Titanium
2	Body	1	PVC
1	Cable	1	PVC (VCTF 2 x 0.5 mm ²)
P.No.	Name	Qty.	Material

DATE Jun.30, 1994	DR. BY <i>G. Higashimura</i>	TITLE
SCALE N.T.S.	CH. BY <i>T. Ueda</i>	OUTLINE OF CABLE TYPE ELECTRODE LEVEL SENSOR
UNITS MILIMETERS	APP. BY <i>T. Ueda</i>	MODEL CE-8



NOHKEN INC.
OSAKA, JAPAN

DRAWING NO. CA 144032