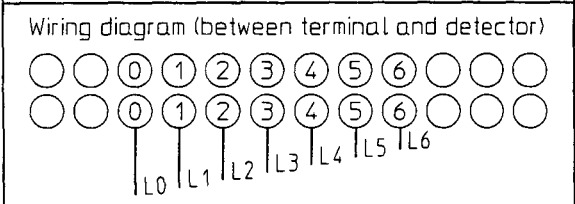
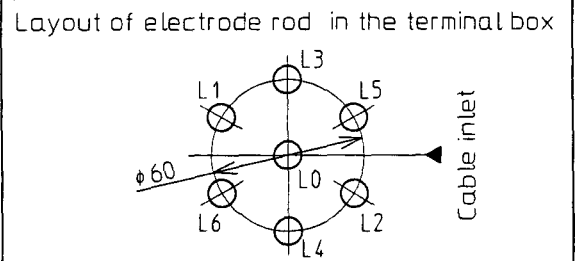
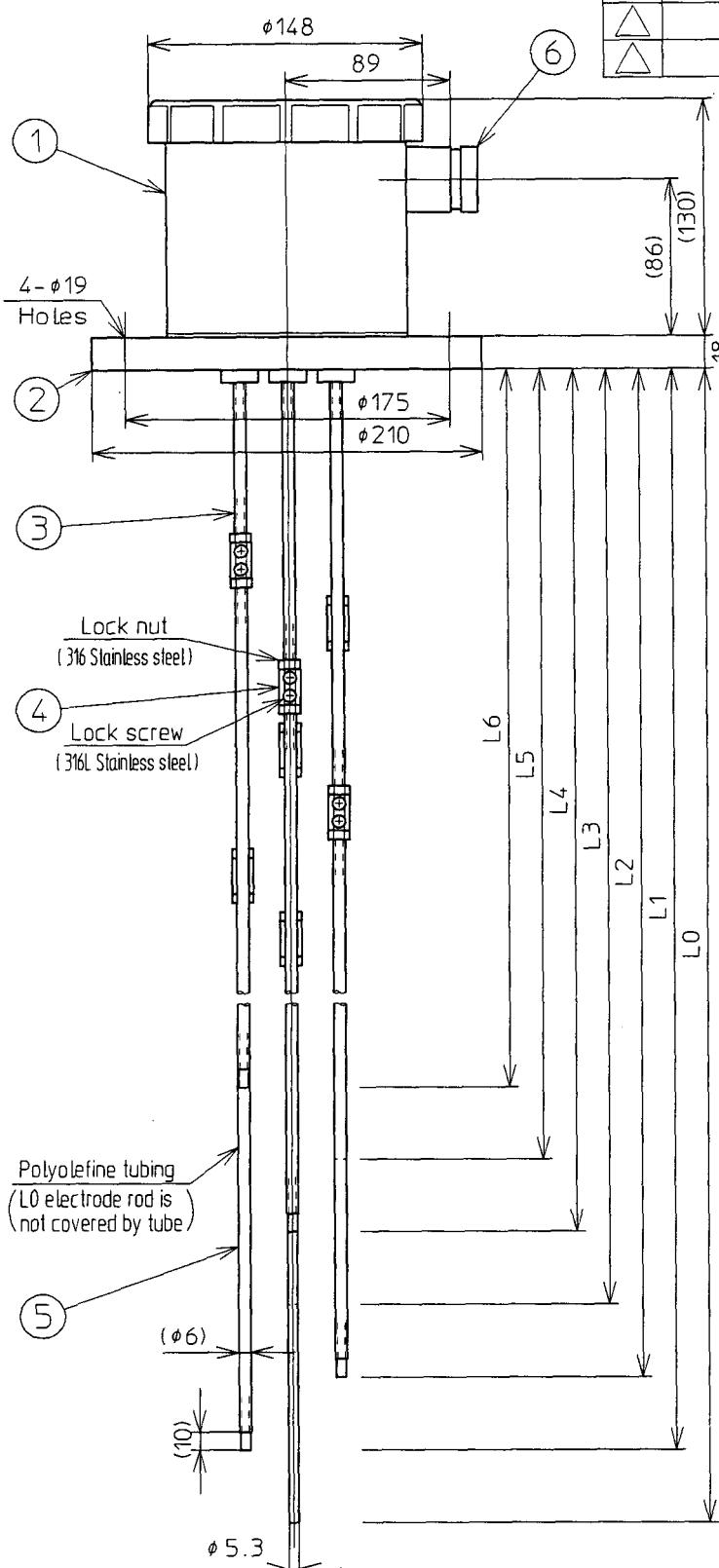


REVISIONS				
REV	DATE	DESCRIPTION	BY	APP. BY
△				
△				
△				



Tag No.			
L0			
L1			
L2			
L3			
L4			
L5			
L6			
Qty.			

Note  
 The Lock nut and the lock screw : Two for each per connector

6	Cable gland	1	Brass (C3604BD, Nickel plating)
5	Outside electrode rod		316 Stainless steel
4	Connector		316 Stainless steel
3	Inside electrode rod	7	316 Stainless steel
2	Flange	1	PVC
1	Terminal box	1	ABS
P.No.	Name	Qty.	Material

Flange size : Equivalent JIS 10K 100A Proviso 4 holes  
 Cable inlet : Equivalent JIS F 20a(G3/4)

DATE 09-05-'01	DR. BY <i>[Signature]</i>	TITLE OUTLINE DRAWING OF ELECTRODE LEVEL SENSOR	
SCALE N.T.S.	CH. BY <i>[Signature]</i>	MODEL FE2-7	
UNITS MILLIMETERS	APP. BY <i>[Signature]</i>	DRAWING NO. SA 902353 △	
<b>NOHKEN INC.</b> OSAKA, JAPAN			