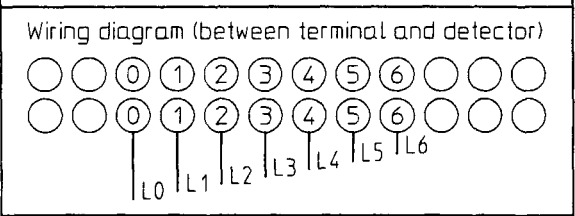
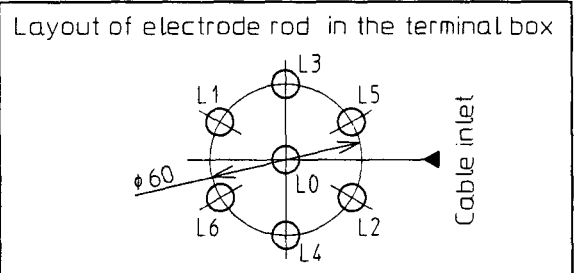
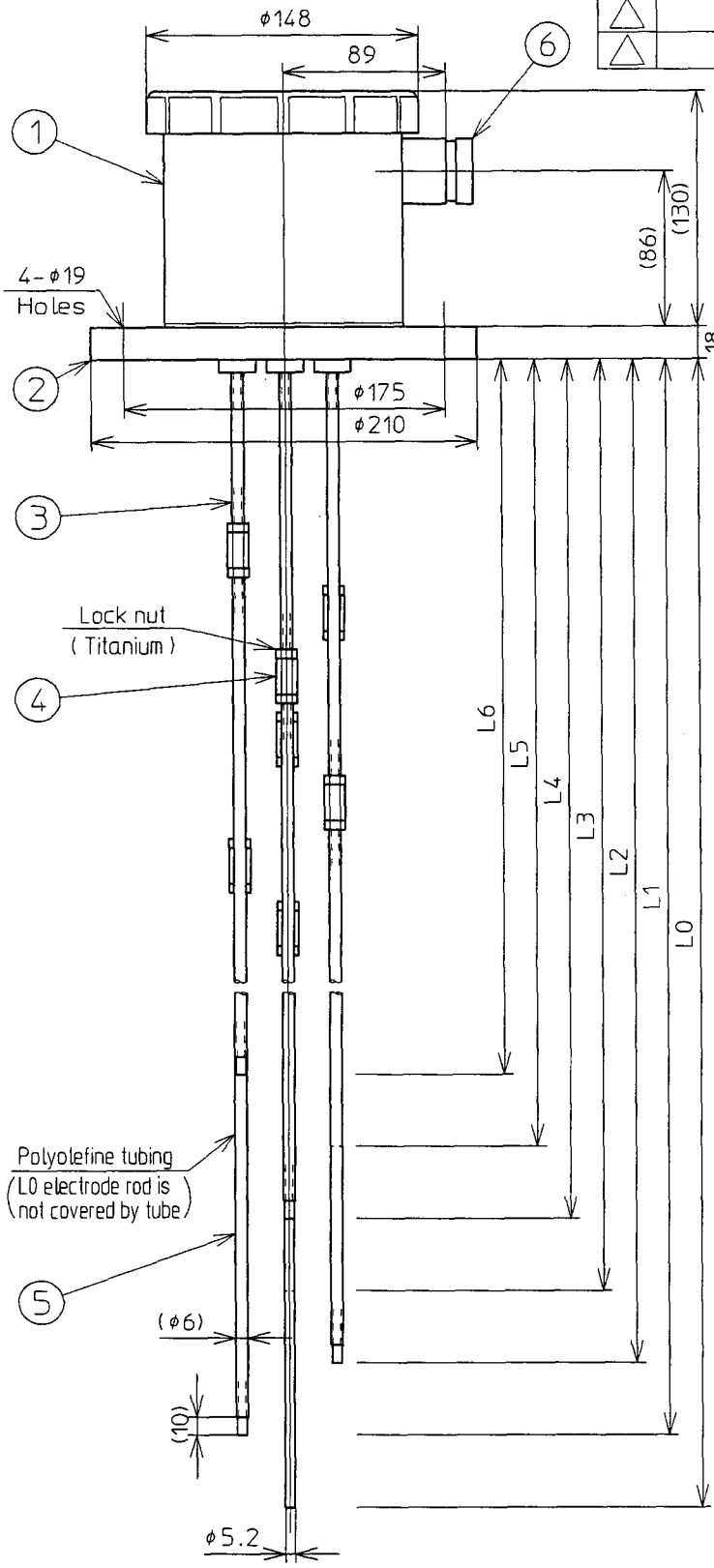


REVISIONS				
REV	DATE	DESCRIPTION	BY	APP.BY
△				
△				
△				



Tag No.		
L0		
L1		
L2		
L3		
L4		
L5		
L6		
Qty.		

Note
 · Lock nut : Two for each per connector

6	Cable gland	1	Brass (C3604BD, Nickel plating)
5	Outside electrode rod		Titanium
4	Connector		Titanium
3	Inside electrode rod	7	Titanium
2	Flange	1	PVC
1	Terminal box	1	ABS
P.No.	Name	Qty.	Material

Flange size :Equivalent JIS 10K 100A Proviso 4 holes
 Cable inlet :Equivalent JIS F 20a(G3/4)

DATE 09-05-'01	DR.BY <i>[Signature]</i>
SCALE N.T.S.	CH.BY <i>[Signature]</i>
UNITS MILLIMETERS	APP.BY <i>[Signature]</i>

TITLE	OUTLINE DRAWING OF ELECTRODE LEVEL SENSOR		
MODEL	FE4-7		
DRAWING NO.	SA 902389 △		



NOHKEN INC.
 OSAKA, JAPAN