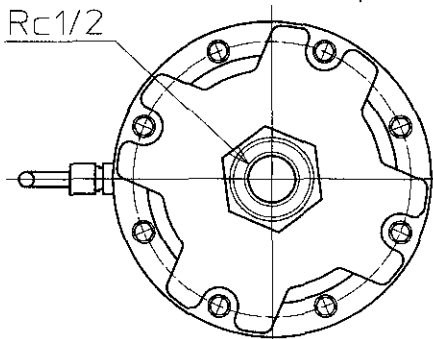
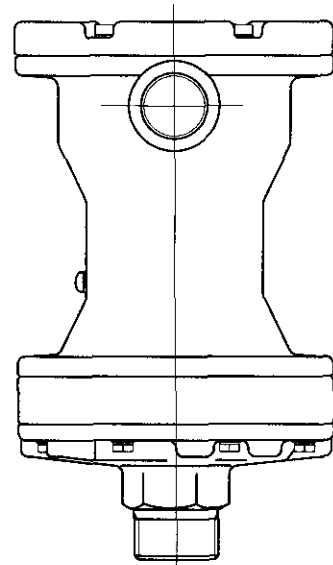
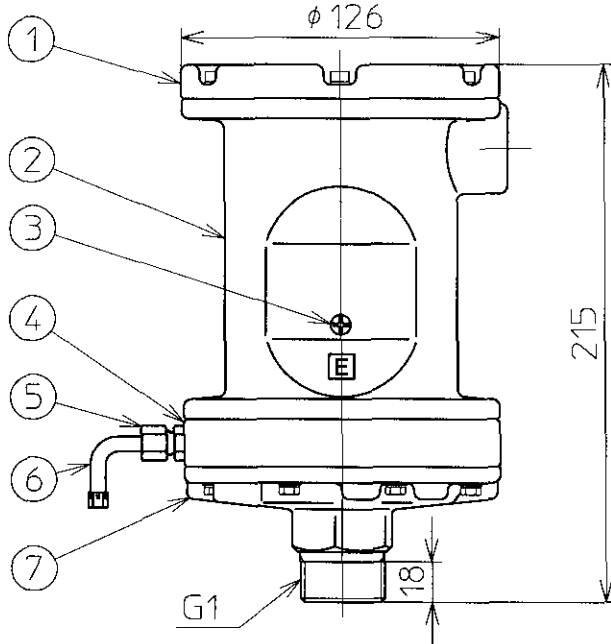
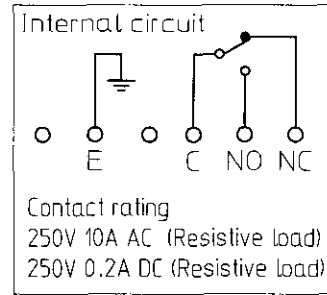
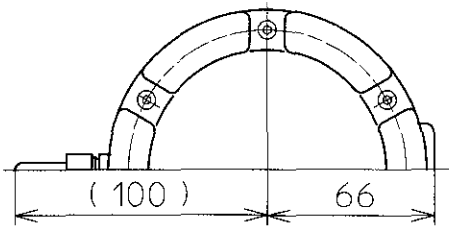


REVISIONS				
REV	DATE	DESCRIPTION	BY	APP.BY
△				
△				
△				



Switch Operating position : 60 ± 10 mm
 Release position : 40 ± 15 mm
 (By using 1/2B L=300mm pipe)

Specifications

- Type designation : FP510
- Flame-proof construction : d2G4
- Terminal box construction : IP53
- Material of diaphragm : CR
- Ambient temperature : 0 ~ +60 °C
- Operating temperature : 0 ~ +70 °C
- Cable inlet : G 3/4

7	Chamber	1	Aluminium casting (AC4A)
6	Pressure balance pipe	1	Copper (C1220T)
5	Half union	1	Brass (C3604BD)
4	Base	1	Aluminium casting (AC4A)
3	Ground terminal	1	Stainless steel
2	Terminal box	1	Aluminium casting (AC4A)
1	Cover	1	Aluminium casting (AC4A)
P.No.	Name	Qty.	Material

DATE 2004-06-08	DR.BY <i>[Signature]</i>	TITLE OUTLINE DRAWING OF PNEUMATIC LEVEL SENSOR	
SCALE 1:3	CH.BY <i>[Signature]</i>	MODEL FP510	
UNITS MILLIMETERS	APP.BY <i>J. Kawahita</i>	DRAWING NO. AS 004311 △	
NOHKEN INC. OSAKA, JAPAN			