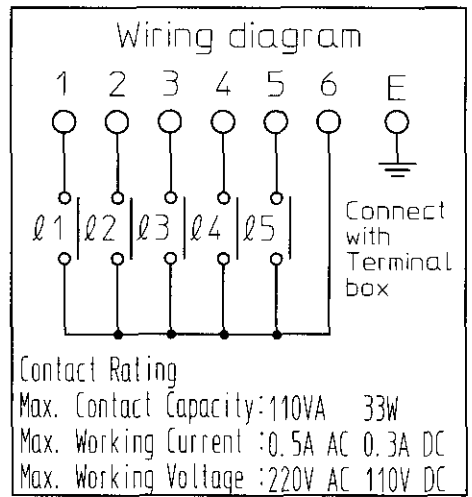
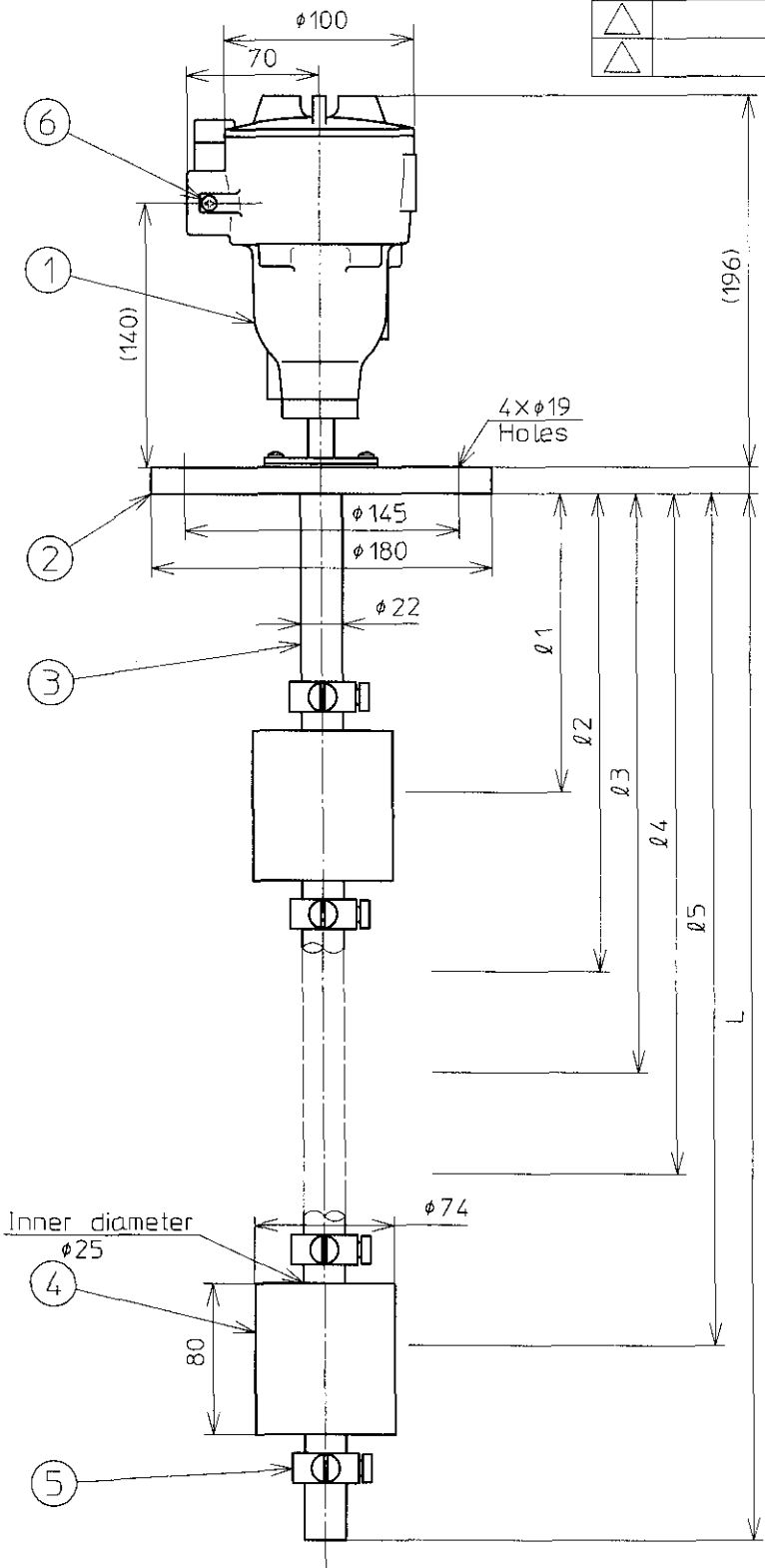


| REVISIONS |      |             |    |         |
|-----------|------|-------------|----|---------|
| REV       | DATE | DESCRIPTION | BY | APP. BY |
| △         |      |             |    |         |
| △         |      |             |    |         |
| △         |      |             |    |         |



| Tag No. |  |  |  |
|---------|--|--|--|
| L       |  |  |  |
| l1      |  |  |  |
| l2      |  |  |  |
| l3      |  |  |  |
| l4      |  |  |  |
| l5      |  |  |  |
| Qty.    |  |  |  |

- SPECIFICATIONS
- Flange size : Equivalent JIS 5K 80A
  - Cable inlet : G 3/4
  - Min. SG : 0.7
  - Terminal box : Silver hammertone coating
  - Construction : IP65
  - Max. pressure : 200 kPa
- NOTES
- Type Designation : FR510
  - Explosionproof : d2G4
  - Ambient temperature : 60°C
  - Liquid temperature : -10 to 80°C (No freezing)

Min. Dimensions of (SG = 1)  
 l1 = 70  
 l-l = 140  
 L-l5 = 85

|       |                   |      |                               |
|-------|-------------------|------|-------------------------------|
| 6     | Ground terminal   | 1    | Stainless steel               |
| 5     | Float travel stop | 10   | CPVC                          |
| 4     | Float             | 5    | CPVC                          |
| 3     | Stem              | 1    | CPVC                          |
| 2     | Flange            | 1    | CPVC                          |
| 1     | Terminal box      | 1    | Aluminium die casting (ADC12) |
| P.No. | Name              | Qty. | Material                      |

|       |             |         |                    |
|-------|-------------|---------|--------------------|
| DATE  | 2004-08-27  | DR. BY  | <i>[Signature]</i> |
| SCALE | N.T.S.      | CH. BY  | <i>[Signature]</i> |
| UNITS | MILLIMETERS | APP. BY | <i>[Signature]</i> |

|             |   |           |  |
|-------------|---|-----------|--|
| TITLE       | OUTLINE DRAWING FOR MAGNETIC FLOAT SENSOR |           |  |
| MODEL       | FR510 HV-5P                               | REFERENCE |  |
| DRAWING NO. | AS 005391 △                               |           |  |



**NOHKEN INC.**  
 OSAKA, JAPAN