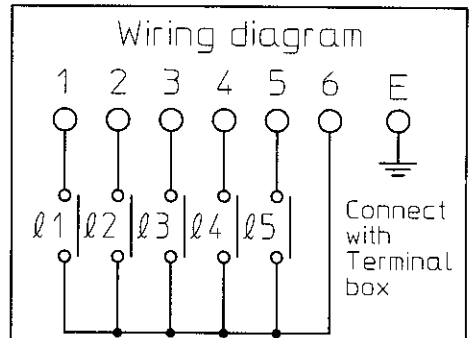
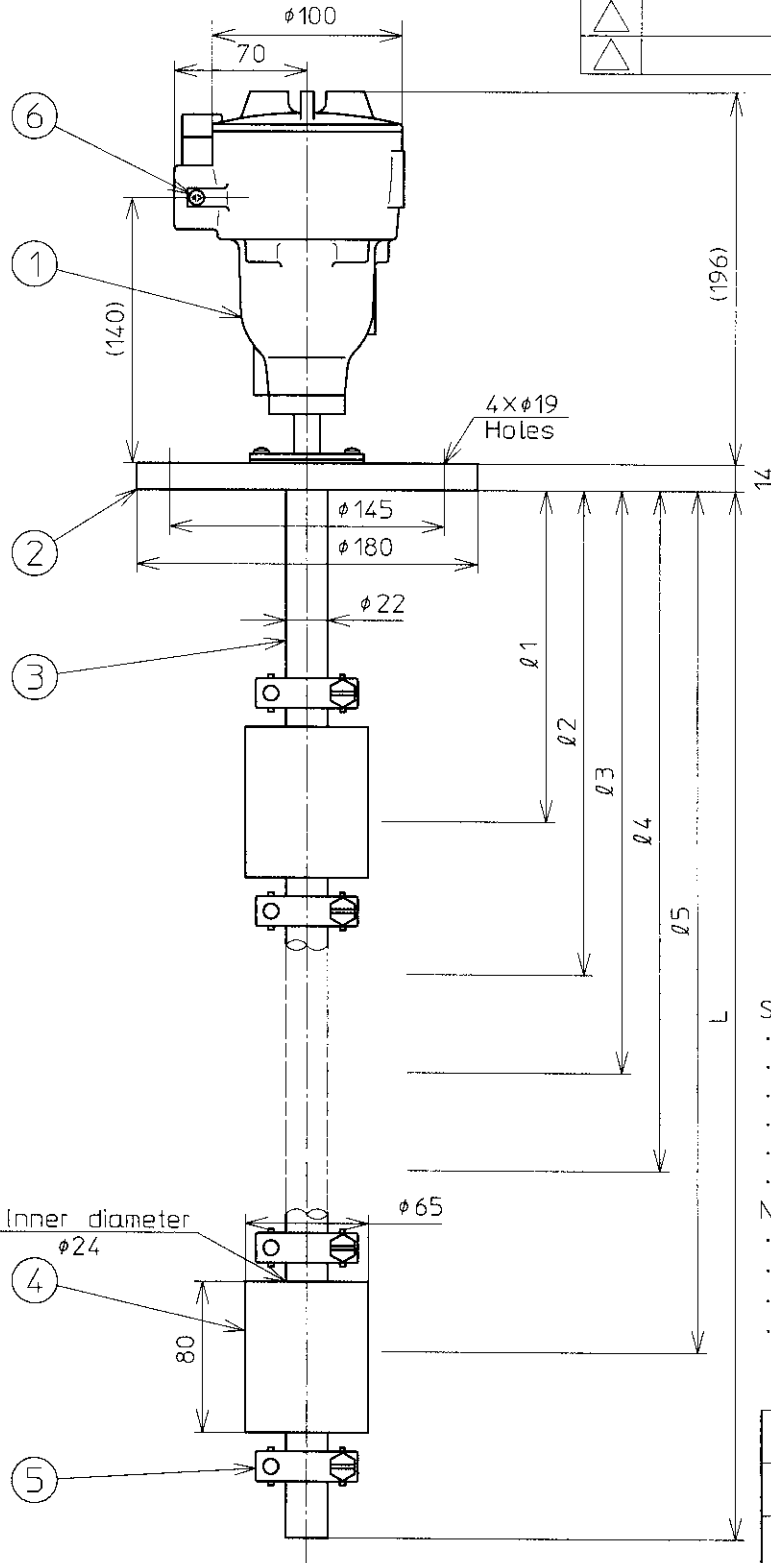


REVISIONS				
REV	DATE	DESCRIPTION	BY	APP. BY
△				
△				
△				



Contact Rating
 Max. Contact Capacity: 110VA 33W
 Max. Working Current : 0.5A AC 0.3A DC
 Max. Working Voltage : 220V AC 110V DC

Tag No.		
L		
$\ell 1$		
$\ell 2$		
$\ell 3$		
$\ell 4$		
$\ell 5$		
Qty.		

SPECIFICATIONS

- Flange size : Equivalent JIS 5K 80A
- Cable inlet : G 3/4
- Min. SG : 0.7
- Terminal box : Silver hamertone coating
- Construction : IP65
- Max. pressure : 200 kPa

NOTES

- Type Designation : FR510
- Explosionproof : d2G4
- Ambient temperature : 50°C
- Liquid temperature : -10 to 50°C (No freezing)

Min. Dimensions of (SG = 1)
 $\ell 1$ = 70
 $\ell - \ell$ = 145
 L - $\ell 5$ = 90

6	Ground terminal	1	Stainless steel
5	Float travel stop	10	PVC
4	Float	5	PVC
3	Stem	1	PVC
2	Flange	1	PVC
1	Terminal box	1	Aluminium die casting (ADC12)
P.No.	Name	Qty.	Material

DATE	2004-08-27	DR. BY		TITLE	OUTLINE DRAWING FOR	
SCALE	N.T.S.	CH. BY			MAGNETIC FLOAT SENSOR	
UNITS	MILLIMETERS	APP. BY	J. Kawahita		MODEL	FR510 V-5P
				DRAWING NO.	AS 005351 △	



NOHKEN INC.
 OSAKA, JAPAN