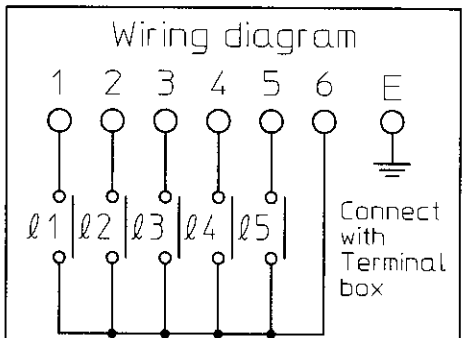
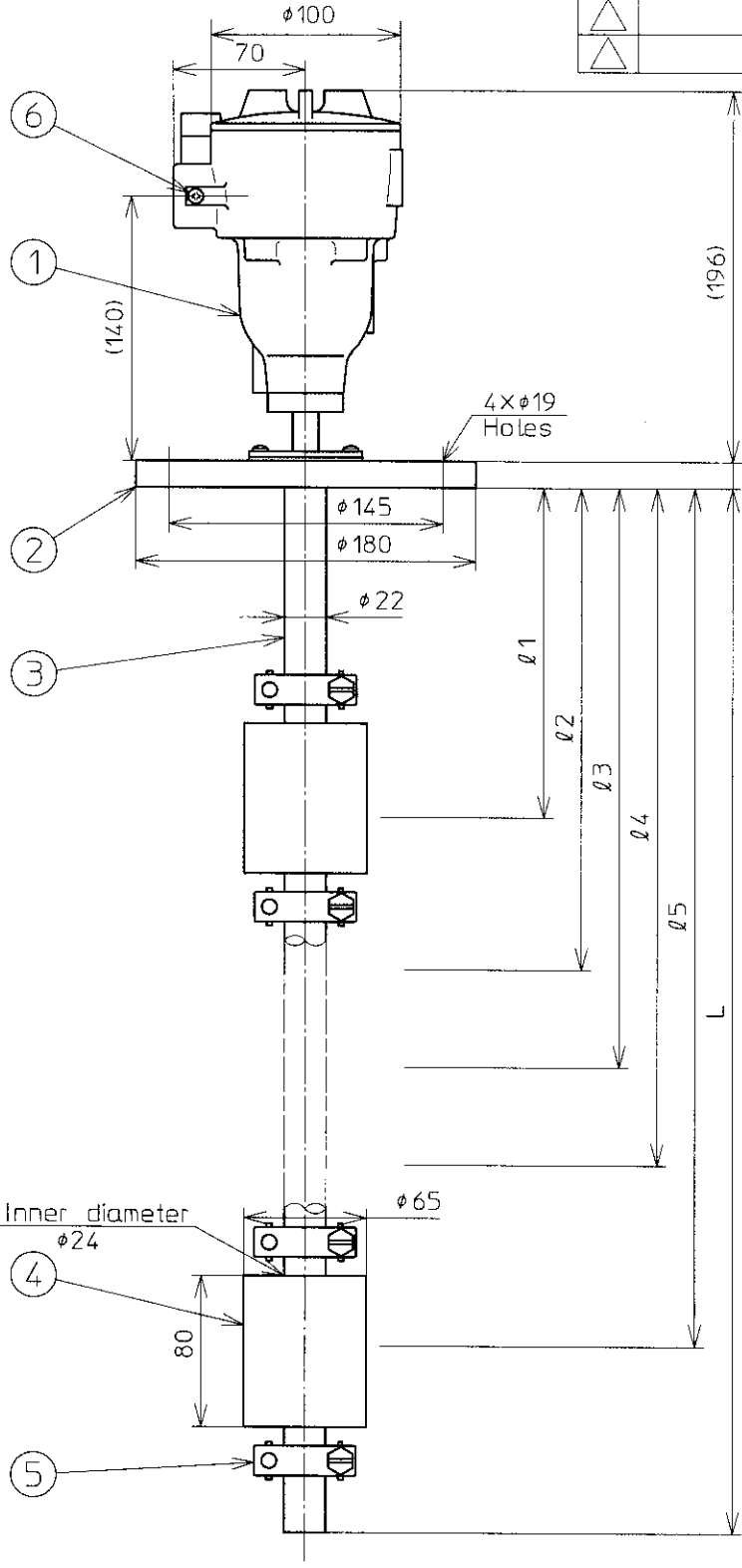


REVISIONS				
REV	DATE	DESCRIPTION	BY	APP.BY
△				
△				
△				



Contact Rating
 Max. Contact Capacity: 110VA 33W
 Max. Working Current : 0.5A AC 0.3A DC
 Max. Working Voltage : 220V AC 110V DC

Tag No.			
L			
l1			
l2			
l3			
l4			
l5			
Qty.			

SPECIFICATIONS

- Flange size : Equivalent JIS 5K 80A
- Cable inlet : G 1/2
- Min. SG : 0.7
- Terminal box : Silver hamertone coating
- Construction : IP65
- Max. pressure : 200 kPa

NOTES

- Type Designation : FR512
- Explosionproof : d2G4
- Ambient temperature : 50°C
- Liquid temperature : -10 to 50°C (No freezing)

6	Ground terminal	1	Stainless steel
5	Float travel stop	10	PVC
4	Float	5	PVC
3	Stem	1	PVC
2	Flange	1	PVC
1	Terminal box	1	Aluminium die casting (ADC12)
P.No.	Name	Qty.	Material

Min. Dimensions of (SG = 1)
 l1 = 70
 l-l = 145
 L-l5 = 90

DATE	2004-08-27	DR.BY	<i>[Signature]</i>	TITLE	OUTLINE DRAWING FOR MAGNETIC FLOAT SENSOR	
SCALE	N.T.S.	CH.BY	<i>[Signature]</i>	MODEL	FR512 V-5P	REFERENCE
UNITS	MILLIMETERS	APP.BY	<i>J. Kawahita</i>	DRAWING NO.	AS 005361 △	
		NOHKEN INC. OSAKA, JAPAN				