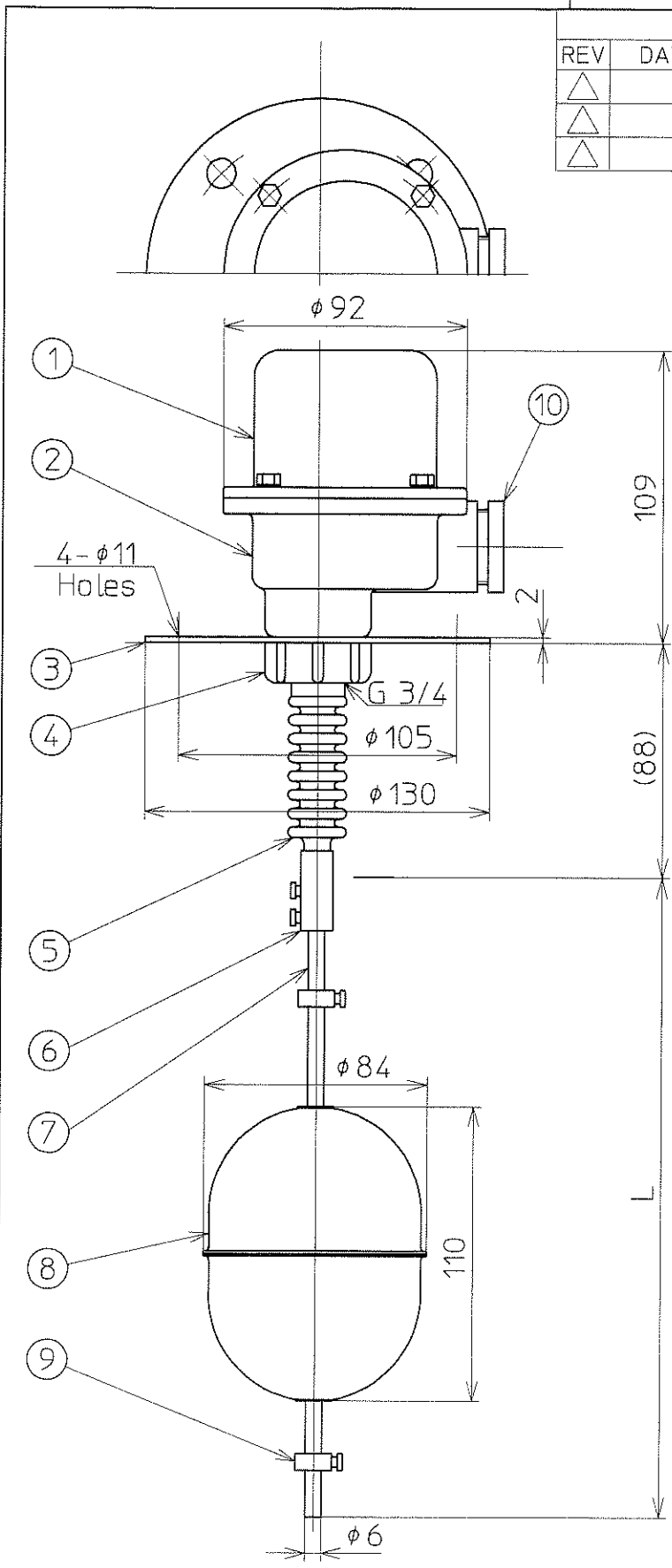
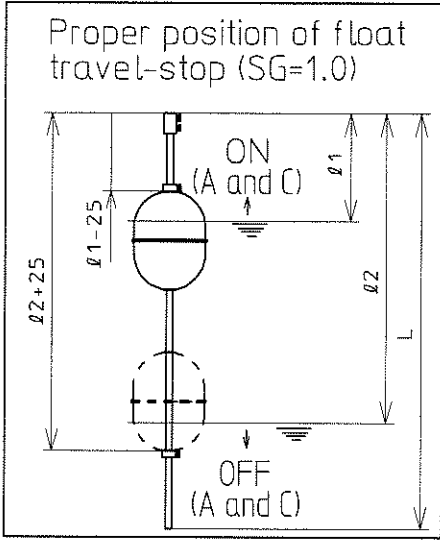
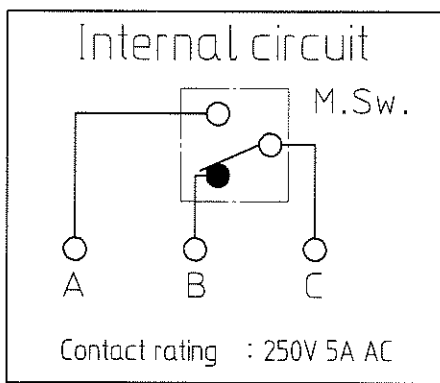


REVISIONS				
REV	DATE	DESCRIPTION	BY	APP.BY
△				
△				
△				



Cable inlet : Equivalent JIS F 20a (G 3/4)



Tag No.	
L	
Qty.	

10	Cable gland	1	ABS
9	Float travel-stop	2	304 Stainless steel
8	Float	1	304 Stainless steel
7	Rod	1	304 Stainless steel
6	Connector	1	304 Stainless steel
5	Bellows	1	CR
4	Mounting nut	1	PM-T
3	Flange	1	304 Stainless steel
2	Terminal box	1	PM-EG
1	Cover	1	PP
P.No.	Name	Qty.	Material

DATE	2006-09-15	DR.BY	<i>K. Yokoyama</i>
SCALE	N.T.S.	CH.BY	<i>T. Yumoto</i>
UNITS	MILLIMETERS	APP.BY	<i>M. Yamamoto</i>
<b>NOHKEN</b>		<b>NOHKEN INC.</b> OSAKA, JAPAN	

TITLE		OUTLINE DRAWING OF WIDE-DIFFERENTIAL FLOAT SENSOR	
MODEL	FS-2S	SHEET NO.	
DRAWING NO.		AS 012432 △	