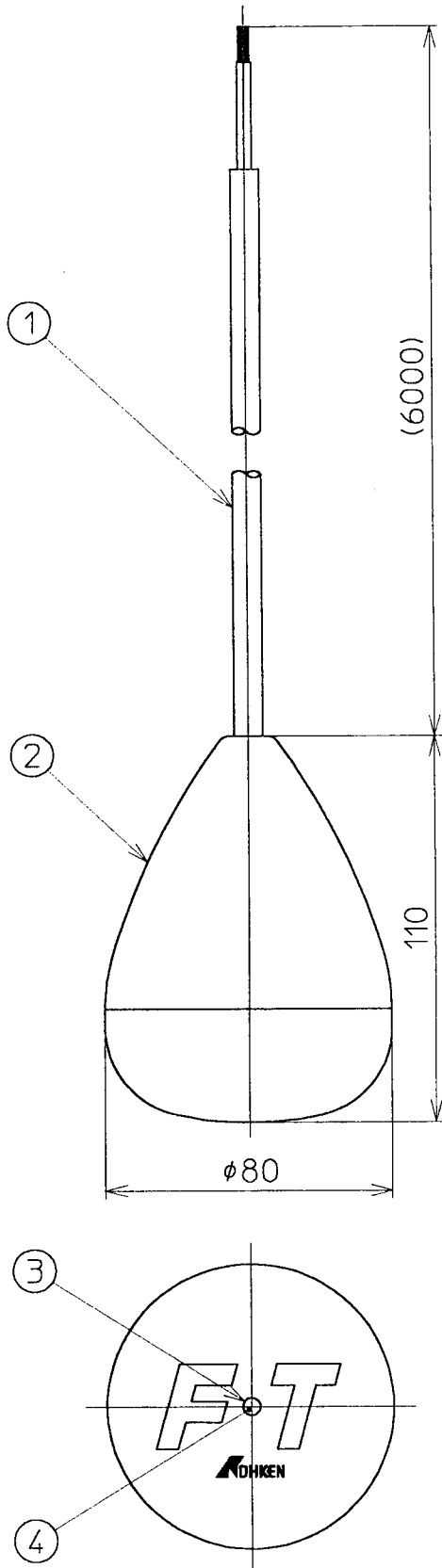
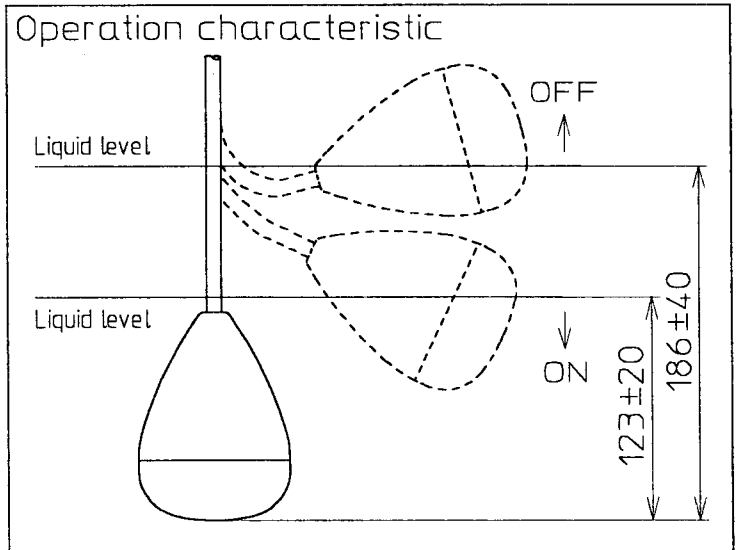


REVISIONS				
REV	DATE	DESCRIPTION	BY	APP.BY
△				
△				
△				

DRAWING NO. SA 900876△



Specific gravity : 0.8 Min.
 Withstand pressure : 200kPa Max.
 Working temperature : -10 to +50 °C
 Contact rating (With Resistive Load)
 Max. Working current : 3A AC , 3A DC
 Max. Working voltage : 250V AC , 30V DC
 Min. Working load : 0.8W (5V DC Min.)



4	Filler	-	Epoxy resin (White)
3	Tapping screw	1	Steel structure
2	Float	1	ABS
1	Cable	1	PVC (VCTF 2x0.75mm ²)
P.No.	Name	Qty.	Material

DATE 06-08-'99 DR.BY *Y. Nonaka*
 SCALE N.T.S. CH.BY *T. Horinchi*
 UNITS MILLIMETERS APP.BY *T. Mow*

TITLE OUTLINE DRAWING OF CABLE SUSPENDED FLOAT SENSOR

MODEL FT-7B



NOHKEN INC
 OSAKA, JAPAN

DRAWING NO.

SA 900876△