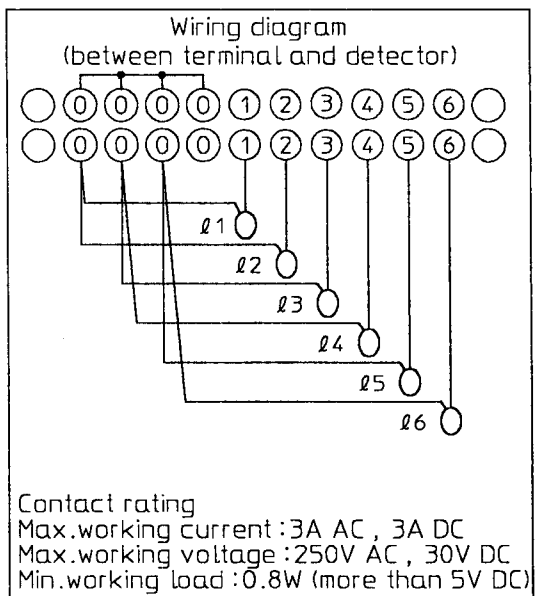
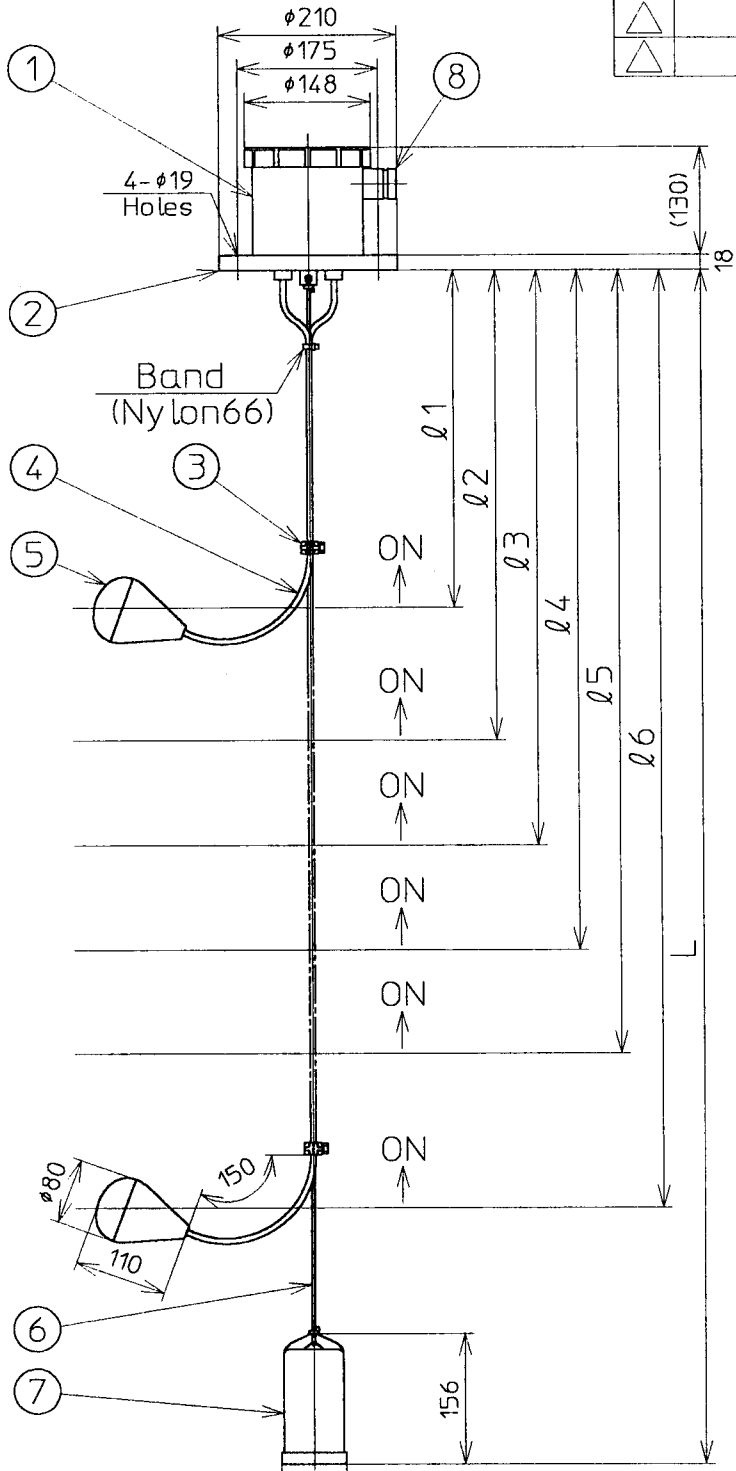


REVISIONS				
REV	DATE	DESCRIPTION	BY	APP.BY
△				
△				
△				

DRAWING NO. SA 900888△



Tag No.			
L			
l1			
l2			
l3			
l4			
l5			
l6			
Qty.			

Specifications

- Flange size : Equivalent JIS 10K 100A Proviso 4 holes
- Cable inlet : Equivalent JIS F 20a ( G 3/4 )
- Protection : IP45
- Float withstand pressure : 200 kPa Max.
- Min. SG : 0.8
- Working temperature : -10 to 50 °c ( No freezing under 0°c )
- Min. Dimensions of : l1 = 200  
 l-l = 210  
 L-l6 = 160

8	Cable gland	1	Brass (Nickel plating)
7	Anchor weight	1	PVC (Build in : Carbon steel)
6	Rope	1	PE
5	Float	6	ABS
4	Cable	6	PVC (VCTF2×0.75mm <sup>2</sup> )
3	Cable clip	6	PVC
2	Flange	1	PVC
1	Terminal box	1	ABS
P.No.	Name	Qty.	Material

DATE 06-08- '99	DR.BY <i>T. Nonaka</i>	TITLE OUTLINE DRAWING OF CABLE SUSPENDED FLOAT SENSOR	
SCALE N.T.S.	CH.BY <i>A. Horinouchi</i>	MODEL FT77-6	
UNITS MILLIMETERS	APP.BY <i>T. Nonaka</i>	DRAWING NO. SA 900888△	
<b>NOHKEN INC.</b> OSAKA, JAPAN			