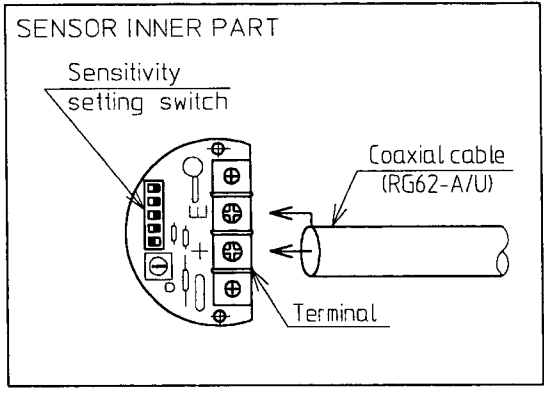
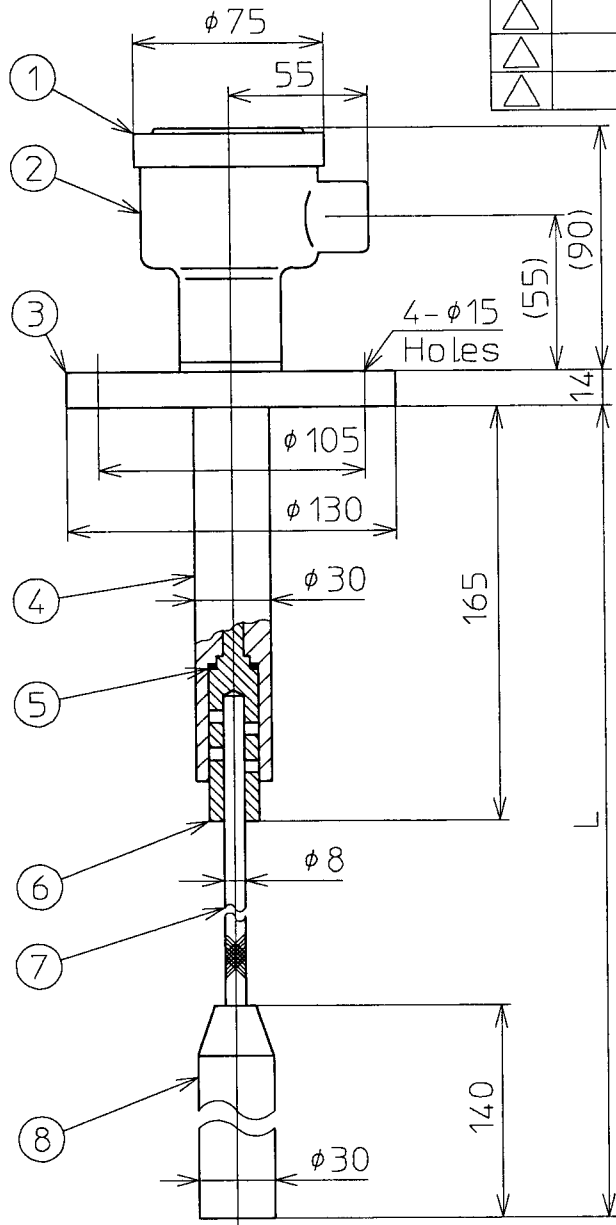


REVISIONS				
REV.	DATE	DESCRIPTION	BY	APP. BY
△				
△				
△				



Intrinsically safe : iBaG5
OUTDOOR USE

Length of L

SPECIFICATIONS

- Cable inlet : G 1/2
- Flange size : JIS 5K 50A
- Working temperature : -10 to 40 °C
- Working pressure : 500 kPa Max. for Probe
- Sensitivity : 0.5 pF ~ 4000 pF
- Housing : IP65

NOTES:

1. WIRING SHALL BE ACCORDING TO ALL LOCAL STANDARD.
2. MODEL KRE6000 OR KRE6200 SHALL BE USED AS AN AMPLIFIER.
3. NEVER DISASSEMBLE AND MODIFY THE PROBE IN CONJUNCTION WITH INTRINSICALLY SAFE.
4. CABLE TO AMPLIFIER, COAXIAL CABLE RG62A/U SHALL BE USED. MAX. INDUCTANCE IS 1.0 mH AND MAX. CAPACITANCE IS 0.1 μF.

8	Electrode	1	304 stainless steel
7	Electrode wire	1	304 stainless steel
6	Wire holder	1	304 stainless steel
5	O-ring	1	Viton
4	Insulator	1	PE
3	Flange	1	304 stainless steel
2	Housing	1	Aluminium die casting (ADC12)
1	Cover	1	Aluminium die casting (ADC12)
P.No.	Name	Qty.	Material

DATE 07-29-'99	DR. BY <i>T. Maki</i>
SCALE N.T.S.	CH. BY <i>A. Sakai</i>
UNITS MILLIMETERS	APP. BY <i>T. Yamaguchi</i>
NOHKEN INC. OSAKA, JAPAN	

TITLE	OUTLINE DRAWING FOR CAPACITIVE LEVEL SENSOR		
MODEL	KRE65-6F		
DRAWING NO.	SA 901191 △		

DRAWING NO. SA 901191 △