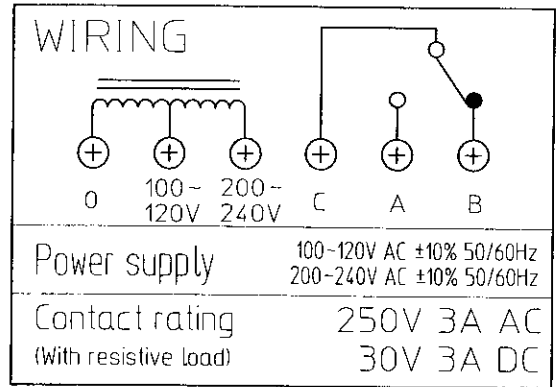
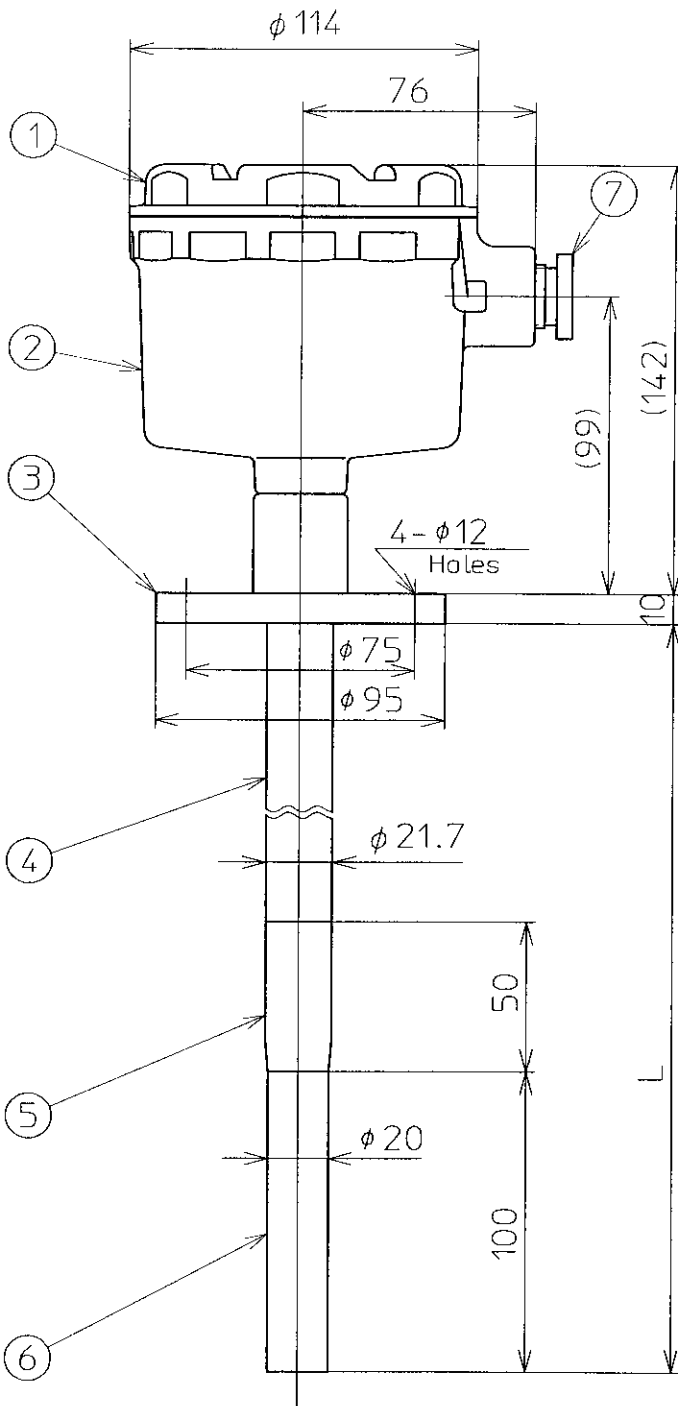


REVISIONS				
REV	DATE	DESCRIPTION	BY	APP. BY
△				
△				
△				



Cable inlet : JIS F 15c(G 1/2)
 Flange size : JIS 5K 25A
 O-Ring : FPM

Tag No.	L	Qty.

7	Cable gland	1	Brass (C3604BD, Nickel plating)
6	Electrode	1	304 stainless steel
5	Insulator	1	PE
4	Earth electrode	1	304 stainless steel
3	Flange	1	304 stainless steel
2	Housing	1	Aluminium die casting (ADC12)
1	Cover	1	Aluminium die casting (ADC12)
P.NO	Name	Qty.	Material

DATE 06-19-'03 DR. BY *J. Kawakita*
 SCALE N.T.S. CH. BY *J. Kawakita*
 UNITS mm APP. BY *J. Kawakita*

TITLE OUTLINE DRAWING FOR CAPACITIVE LEVEL SENSOR
 MODEL KRV-2FH
 DRAWING NO. AS 000932 △



NOHKEN INC.
 OSAKA, JAPAN