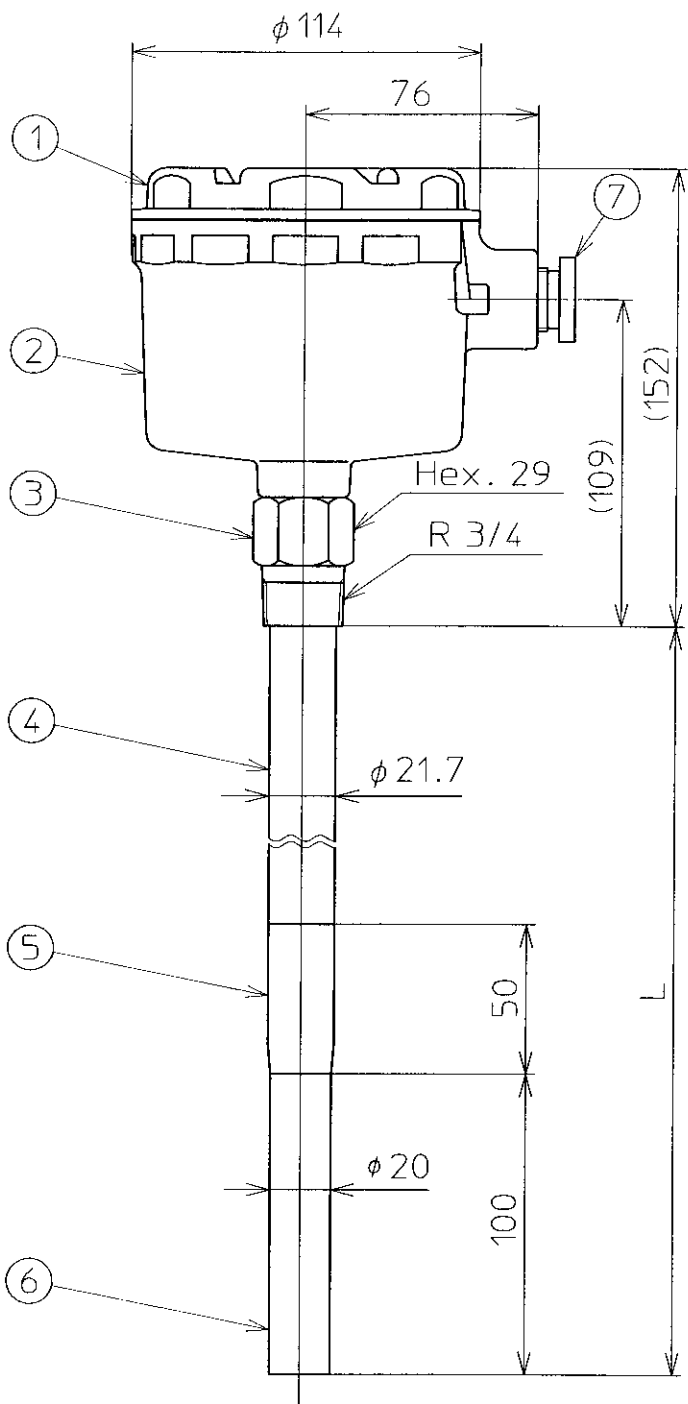
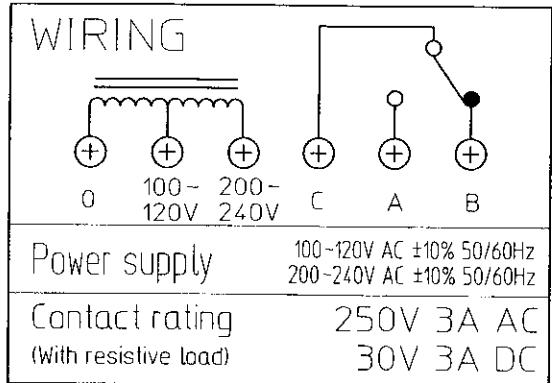


REVISIONS				
REV	DATE	DESCRIPTION	BY	APP. BY
△				
△				
△				



Cable inlet : JIS F 15c(G 1/2)
O-Ring : FPM

Tag No.	L	Qty.

7	Cable gland	1	Brass (C3604BD, Nickel plating)
6	Electrode	1	304 stainless steel
5	Insulator	1	PE
4	Earth electrode	1	304 stainless steel
3	Mounting plug	1	304 stainless steel
2	Housing	1	Aluminium die casting (ADC12)
1	Cover	1	Aluminium die casting (ADC12)
P.NO	Name	Qty.	Material

DATE 06-19-'03	DR. BY <i>J. Kawahira</i>
SCALE N.T.S.	CH. BY <i>J. Yamabe</i>
UNITS MILLIMETERS	APP. BY <i>J. Kawahira</i>

TITLE	OUTLINE DRAWING FOR CAPACITIVE LEVEL SENSOR		
MODEL	KRV-2NH		
DRAWING NO.	AS 000931 △		

