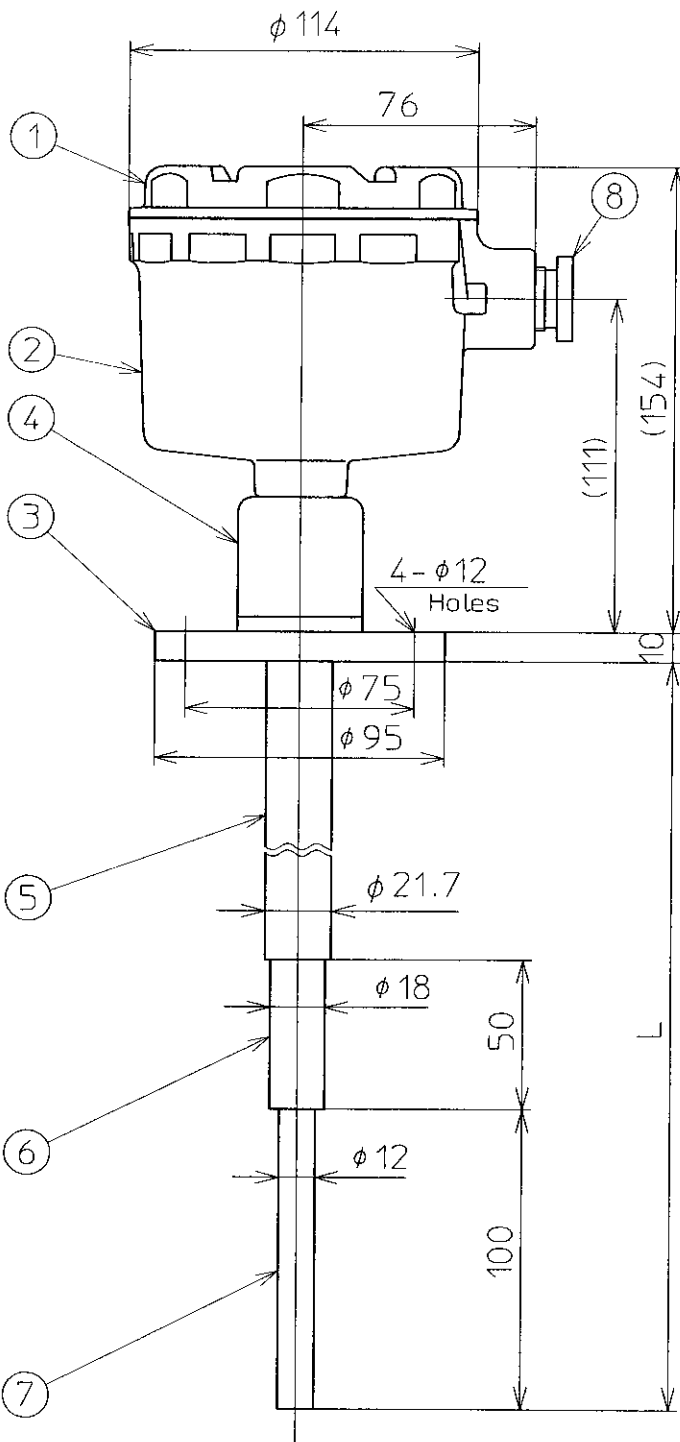
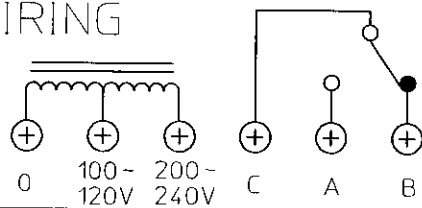


REVISIONS				
REV	DATE	DESCRIPTION	BY	APP. BY
△				
△				
△				



WIRING



Power supply

100-120V AC ±10% 50/60Hz
200-240V AC ±10% 50/60Hz

Contact rating
(With resistive load)

250V 3A AC
30V 3A DC

Cable inlet : JIS F 15c(G 1/2)

Flange size : JIS 5K 25A

O-Ring : FPM

Tag No.	L	Qty.

8	Cable gland	1	Brass (C3604BD, Nickel plating)
7	Electrode	1	304 stainless steel
6	Insulator	1	PTFE
5	Earth electrode	1	304 stainless steel
4	Socket	1	304 stainless steel
3	Flange	1	304 stainless steel
2	Housing	1	Aluminium die casting (ADC12)
1	Cover	1	Aluminium die casting (ADC12)
P.NO	Name	Qty.	Material

DATE 07-16-'03

DR. BY

SCALE N.T.S.

CH. BY

UNITS mm

APP. BY

TITLE

OUTLINE DRAWING FOR
CAPACITIVE LEVEL SENSOR

MODEL

KRV-3FH

DRAWING NO.

AS 000934 △

NOHKEN

NOHKEN INC.
OSAKA, JAPAN