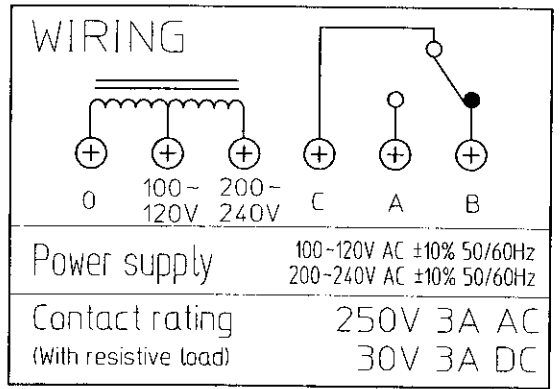
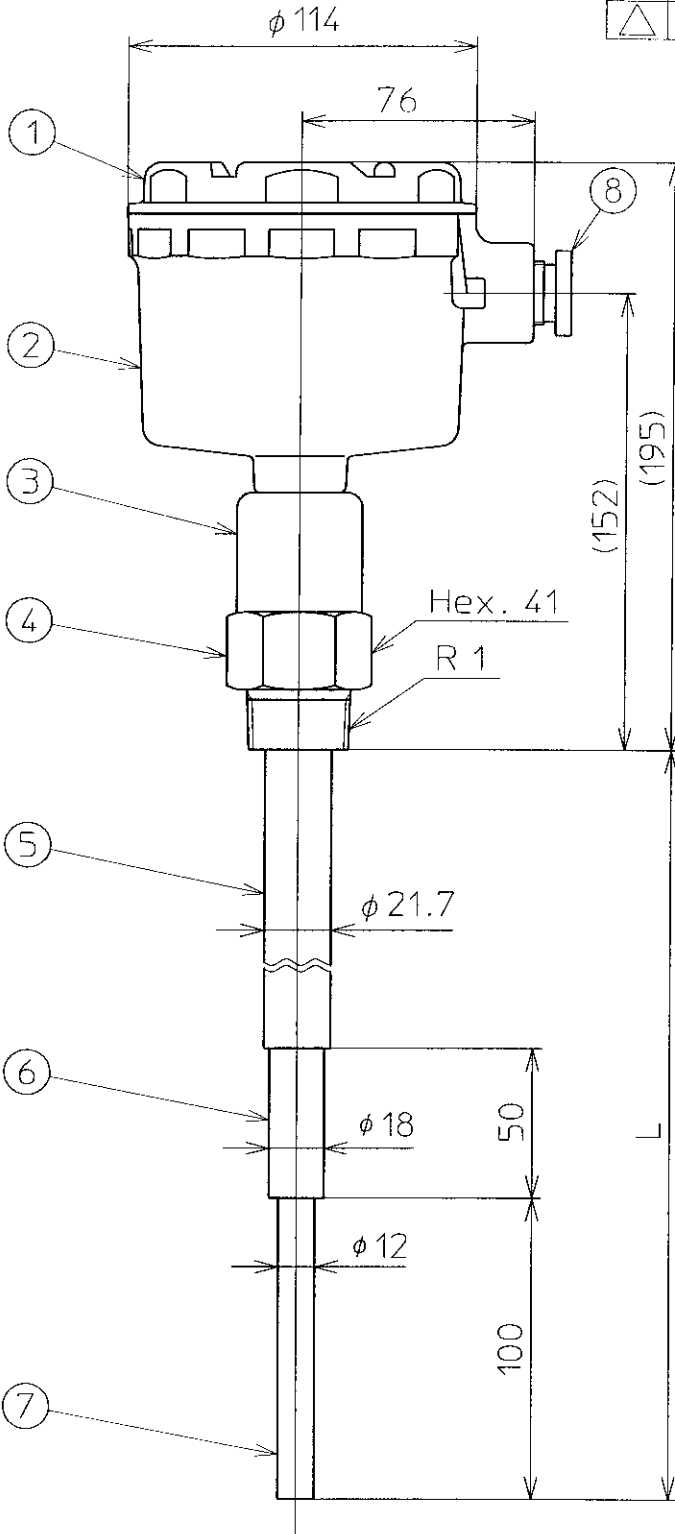


REVISIONS				
REV	DATE	DESCRIPTION	BY	APP. BY
△				
△				
△				



Cable inlet : JIS F 15c(G 1/2)
O-Ring : FPM

Tag No.	L	Qty.

8	Cable gland	1	Brass (C3604BD, Nickel plating)
7	Electrode	1	304 stainless steel
6	Insulator	1	PTFE
5	Earth electrode	1	304 stainless steel
4	Mounting plug	1	304 stainless steel
3	Socket	1	304 stainless steel
2	Housing	1	Aluminium die casting (ADC12)
1	Cover	1	Aluminium die casting (ADC12)
P.NO	Name	Qty.	Material

DATE 07-16-'03 DR. BY *J. Kawakita*
 SCALE N.T.S. CH. BY *J. Kawakita*
 UNITS MILLIMETERS APP. BY *J. Kawakita*

NOHKEN INC.
OSAKA, JAPAN

TITLE **OUTLINE DRAWING FOR CAPACITIVE LEVEL SENSOR**
 MODEL KRV-3NH
 DRAWING NO. AS 000933 △