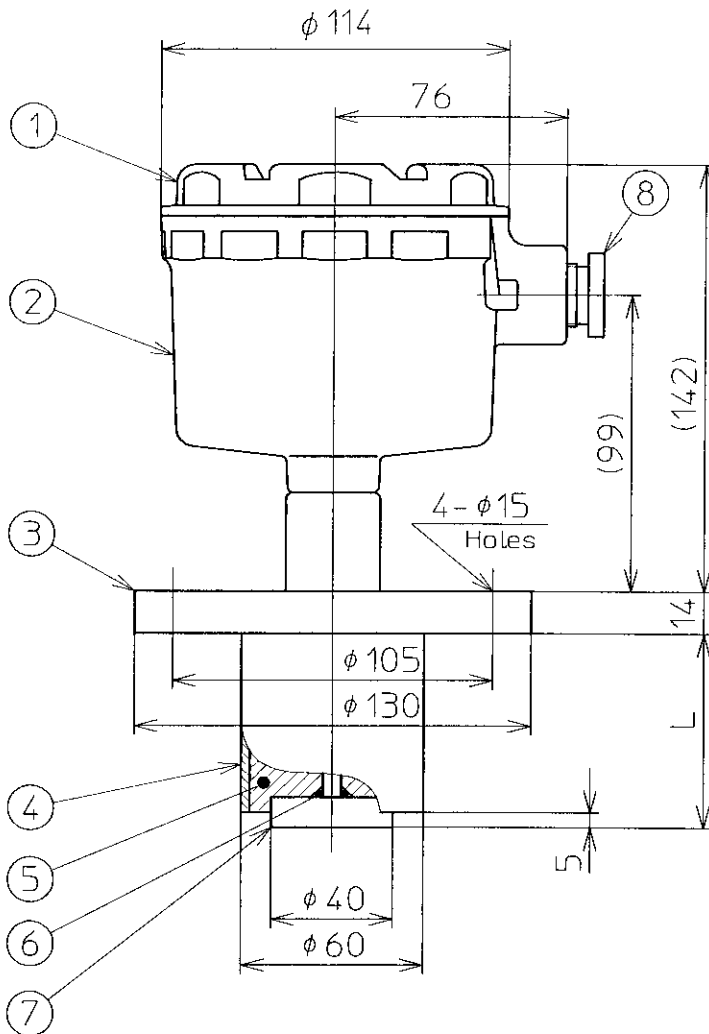
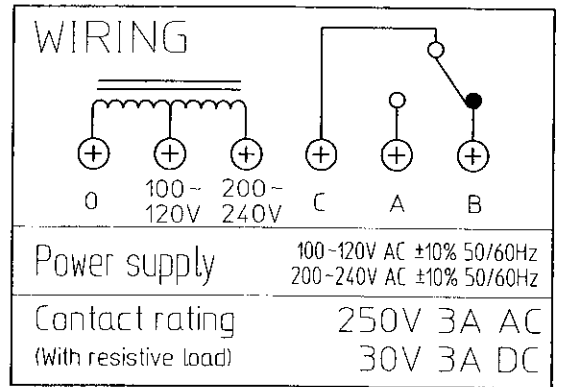


REVISIONS				
REV	DATE	DESCRIPTION	BY	APP. BY
△				
△				
△				



Cable inlet : JIS F 15c(G 1/2)  
 Flange size : JIS 5K 50A

Tag No.	L	Qty.

8	Cable gland	1	Brass (C3604BD, Nickel plating)
7	Electrode	1	304 stainless steel
6	O-Ring	1	FPM
5	Insulator	1	PE
4	Earth electrode	1	304 stainless steel
3	Flange	1	304 stainless steel
2	Housing	1	Aluminium die casting (ADC12)
1	Cover	1	Aluminium die casting (ADC12)
P.NO	Name	Qty.	Material

DATE 06-20-'03      DR. BY *J. Nakai*  
 SCALE N.T.S.      CH. BY *J. Yamato*  
 UNITS mm      APP. BY *J. Kawakita*

TITLE      OUTLINE DRAWING FOR  
 CAPACITIVE LEVEL SENSOR

MODEL      KRV-5FH

DRAWING NO.      AS 000937 △



**NOHKEN INC.**  
 OSAKA, JAPAN