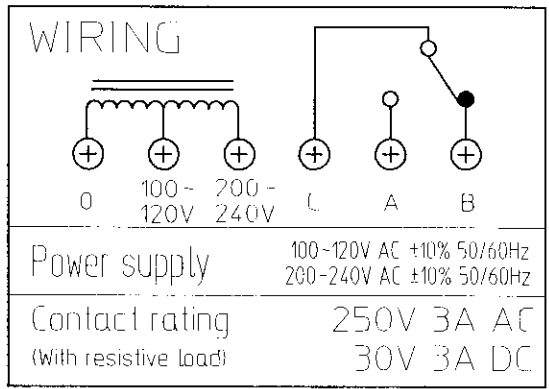
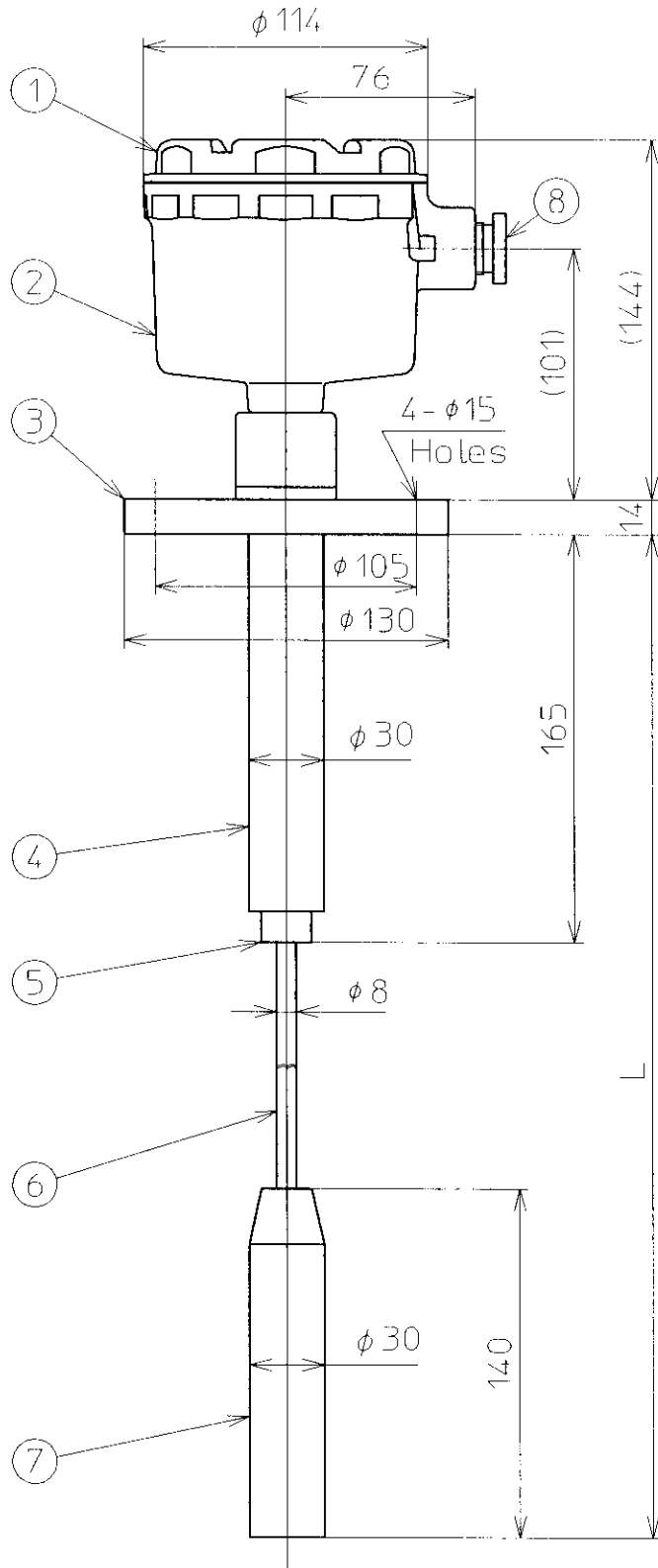


REVISIONS				
REV	DATE	DESCRIPTION	BY	APP. BY
△				
△				
△				



Cable inlet : JIS F 15c(G 1/2)
 Flange size : JIS 5K 50A
 O-Ring : FPM

Tag No.	L	Qty.

8	Cable gland	1	Brass (C3604BD, Nickel plating)
7	Electrode	1	304 stainless steel
6	Wire	1	304 stainless steel
5	Wire holder	1	304 stainless steel
4	Insulator	1	PE
3	Flange	1	304 stainless steel
2	Housing	1	Aluminium die casting (ADC12)
1	Cover	1	Aluminium die casting (ADC12)
P.NO	Name	Qty.	Material

DATE 04-16-'04	DR. BY <i>M. Kato</i>	TITLE OUTLINE DRAWING FOR CAPACITIVE LEVEL SENSOR	
SCALE N.T.S.	CH. BY <i>J. Kawahita</i>	MODEL KRV-6FH	
UNITS mm	APP. BY <i>J. Kawahita</i>	DRAWING NO. AS 003498 △	
NOHKEN INC. OSAKA, JAPAN			