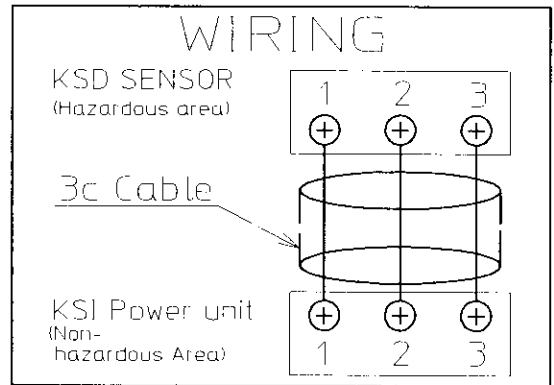
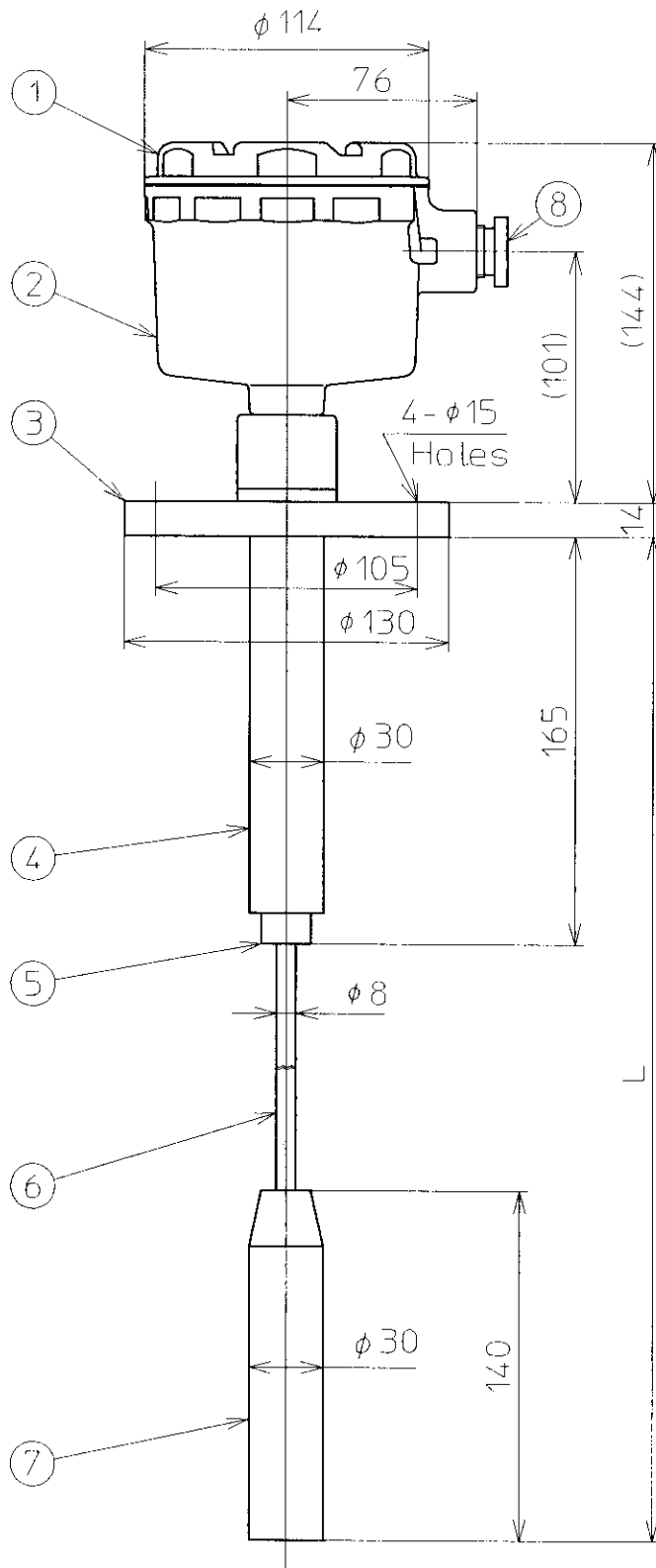


REVISIONS				
REV	DATE	DESCRIPTION	BY	APP. BY
△				
△				
△				



Cable inlet : JIS F 15c(G 1/2)

Flange size : JIS 5K 50A

O-Ring : FPM

Intrinsically safe : iBnG5

OUTDOOR USE

Tag No.	L	Qty.

Note

1. WIRING SHALL BE ACCORDING TO ALL LOCAL STANDARD.
2. MODEL KSI SHALL BE USED AS POWER UNIT.
3. NEVER DISASSEMBLE AND MODIFY THE PROBE IN CONJUNCTION WITH INTRINSICALLY SAFE.
4. CABLE TO POWER UNIT, 3c-Cable SHALL BE USED.
MAX. INDUCTANCE IS 1.0 mH AND MAX. CAPACITANCE IS 0.05 μF.

8	Cable gland	1	Brass (C3604BD, Nickel plating)
7	Electrode	1	304 stainless steel
6	Wire	1	304 stainless steel
5	Wire holder	1	304 stainless steel
4	Insulator	1	PE
3	Flange	1	304 stainless steel
2	Housing	1	Aluminium die casting (ADC12)
1	Cover	1	Aluminium die casting (ADC12)
P.NO	Name	Qty.	Material

DATE 04-16-'04 DR. BY *K. Kato*
 SCALE N.T.S. CH. BY *J. Kawahito*
 UNITS mm APP. BY *J. Kawahito*



NOHKEN INC.
OSAKA, JAPAN

TITLE **OUTLINE DRAWING FOR CAPACITIVE LEVEL SENSOR**
 MODEL **KSD-6FH**
 DRAWING NO. **AS 003508 △**