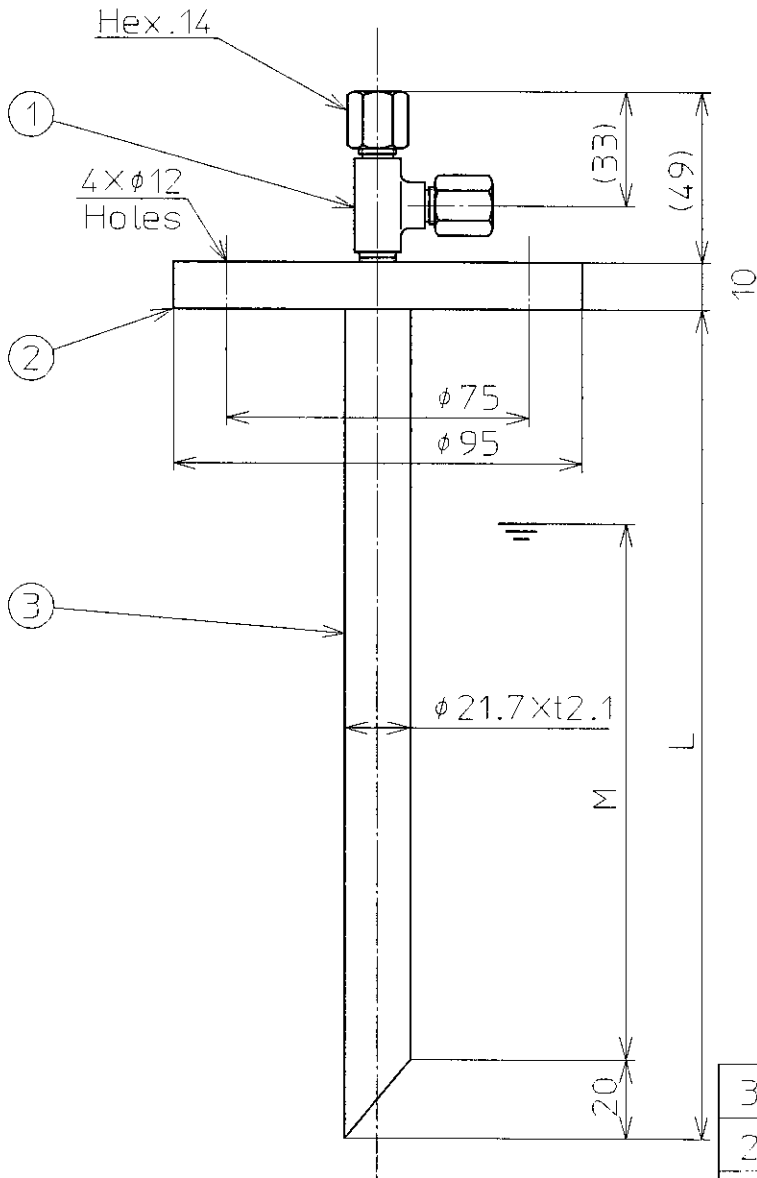
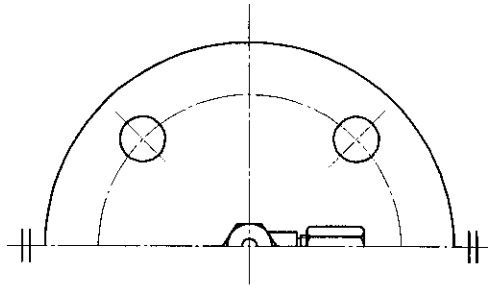


REVISIONS				
REV	DATE	DESCRIPTION	BY	APP. BY
△				
△				
△				



Tag No.	L Length	M Length

3	Pipe	1	SUS 304
2	Flange	1	SUS 304
1	Copper pipe union	1	Bronze casting (Outside diameter of φ6)
P.No.	Name	Qty.	Material

Flange size : JIS 5k 25A

DATE	2005-10-27	DR. BY	G. Tanaka	TITLE	OUTLINE DRAWING OF AIR BUBBLER SYSTEM LEVEL MEASUREMENT		
SCALE	N.T.S.	CH. BY	T. Matsumoto				
UNITS	MILLIMETERS	APP. BY	J. Kawahita				
				MODEL	LA 110	REFERENCE	
NOHKEN INC. OSAKA, JAPAN				DRAWING NO.		AS 009291 △	