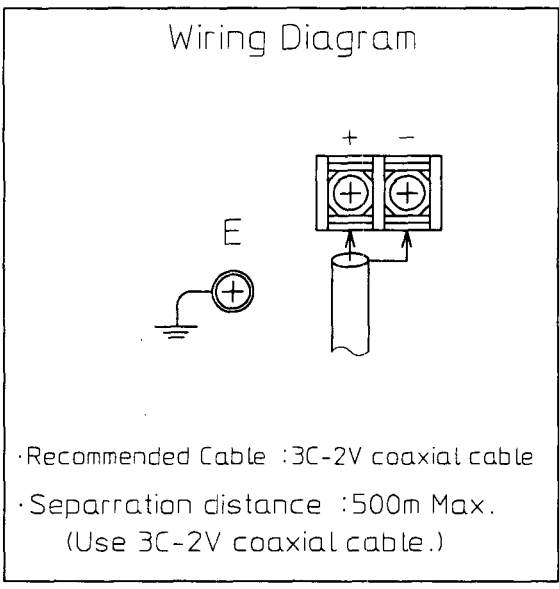
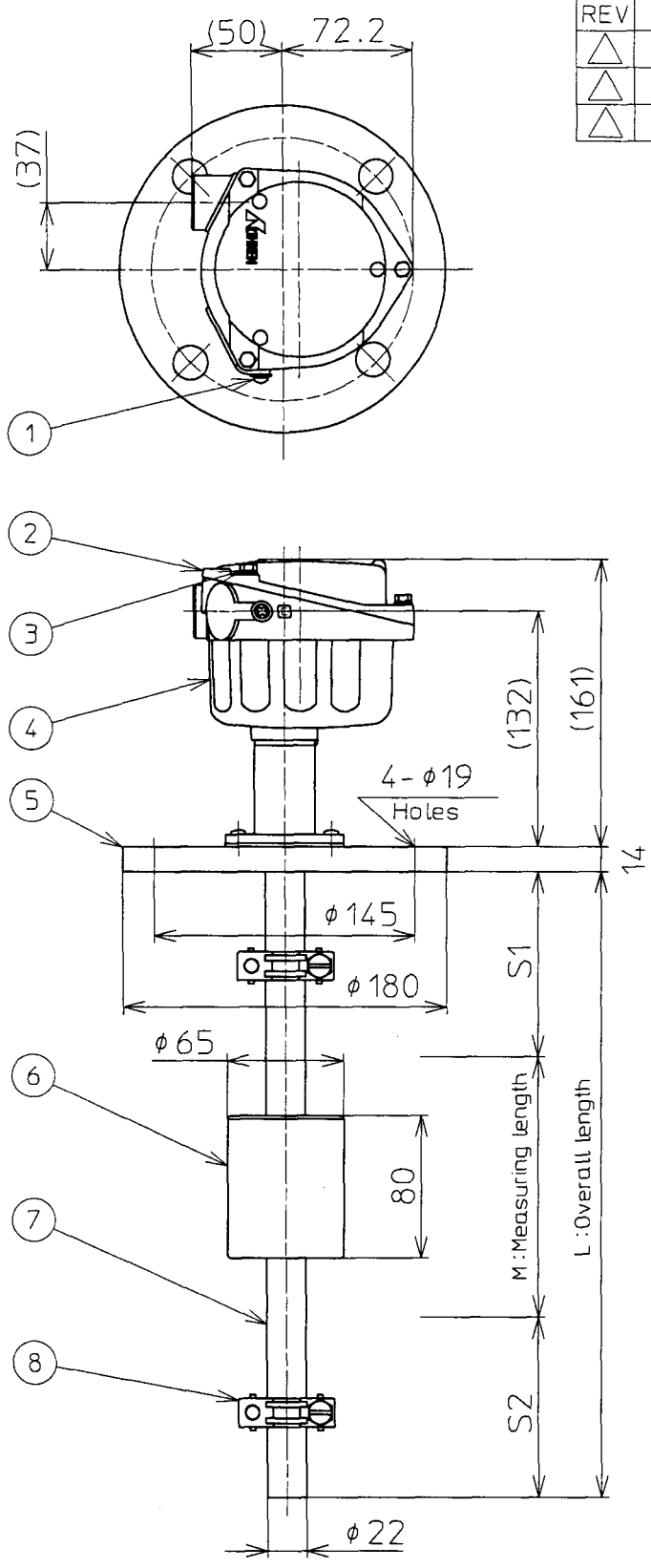


REVISIONS				
REV	DATE	DESCRIPTION	BY	APP. BY
△				
△				
△				

DRAWING NO. SA902574△



Tag No.	L	M	S1	S2	Qty.

- L : 3000mm Max.
- S1, S2 : 100mm Min.

Cable inlet : G 1/2
 Flange size : Equivalent JIS 5K 80A
 Type Designation : MS600V

8	Float-travel Stop	2	Polyvinyl Chloride
7	Stem	1	Polyvinyl Chloride
6	Float	1	Polyvinyl Chloride
5	Flange	1	Polyvinyl Chloride
4	Housing	1	Aluminum Die-casting
3	Cover Bolt	3	Stainless Steel
2	Cover	1	Aluminum Die-casting
1	Earth Terminal	1	Stainless Steel
P.NO.	Name	Qty.	Material

NOTE)
 1. Do not disassembly and modify.

DATE 11-13-'01	DR. BY <i>H. Kato</i>	TITLE OUTLINE DRAWING OF MAGNETOSTRICTIVE LEVEL MEASUREMENT	
SCALE 1:4	CH. BY <i>T. Nagata</i>		
UNITS MILLIMETERS	APP. BY <i>J. Mori</i>	MODEL MS600V	
NOHKEN INC. OSAKA, JAPAN		DRAWING NO. SA902574△	