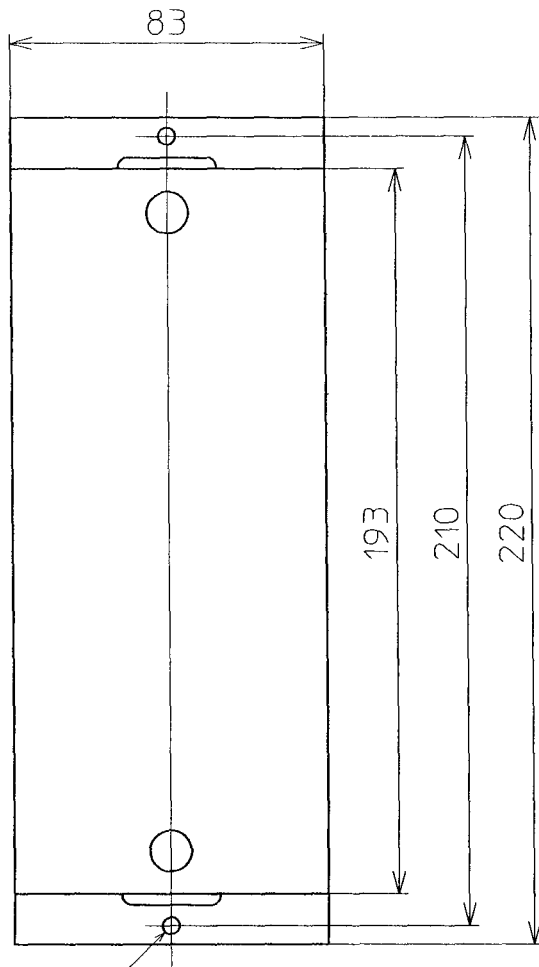
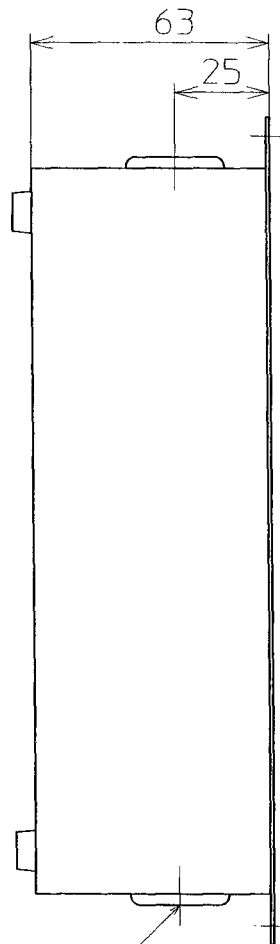


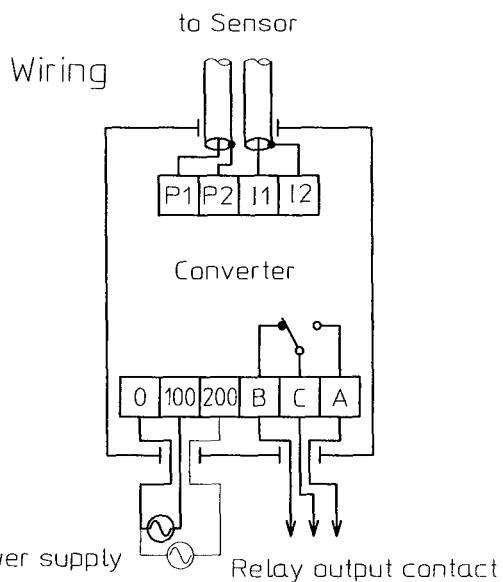
REVISIONS				
REV	DATE	DESCRIPTION	BY	APP. BY
△				
△				
△				



2-φ4.5
Holes



2-φ14
Holes



Material of housing : Carbon steel
(Metamine coating Munsell 2.5PB 3.5/10)

Contact capacity : 250 V 3 A AC (Resistive load)
30 V 3 A DC (Resistive load)

Power supply : 100/200 V AC
50/60 Hz

Power consumption : Approx. 2.5 VA

Construction : IP10

DATE 07-25-'03	DR. BY <i>K. Kato</i>	TITLE OUTLINE DRAWING OF MODEL OX INTERFACE SENSOR	
SCALE N.T.S.	CH. BY <i>T. Yumoto</i>	MODEL OX 1000-1	
UNITS MILLIMETERS	APP. BY <i>J. Kawahita</i>	DRAWING NO. AS 001385△	
NOHKEN INC. OSAKA, JAPAN			