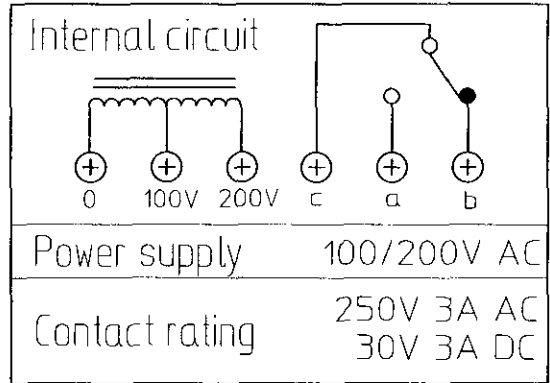
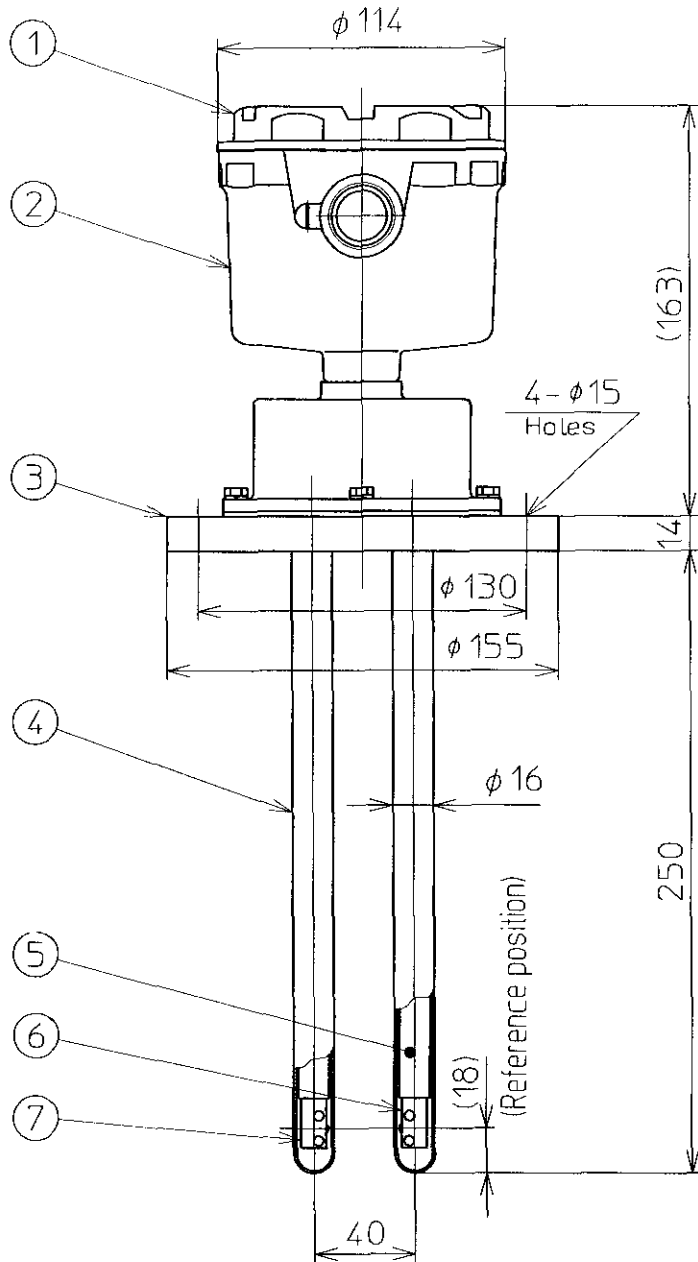


REVISIONS				
REV	DATE	DESCRIPTION	BY	APP. BY
△				
△				
△				



Cable inlet : G 3/4  
Flange size : JIS 5K 65A

Tag No.	Qty.

7	Infrared emitting diode	1	
6	Photodetector	1	
5	Element holder pipe	2	304 stainless steel
4	Sealpipe	2	FEP
3	Flange	1	304 stainless steel
2	Housing	1	Aluminium die casting (ADC12)
1	Cover	1	Aluminium die casting (ADC12)
P.NO	Name	Qty.	Material

DATE 06-23-'03	DR. BY <i>K. Nakamura</i>
SCALE N.T.S.	CH. BY <i>J. Yamada</i>
UNITS MILLIMETERS	APP. BY <i>J. Kawachiya</i>

TITLE	OUTLINE DRAWING FOR MODEL OX INTERFACE SENSOR		
MODEL	OX 40H		
DRAWING NO.	AS 001091 △		



**NOHKEN INC.**  
OSAKA, JAPAN