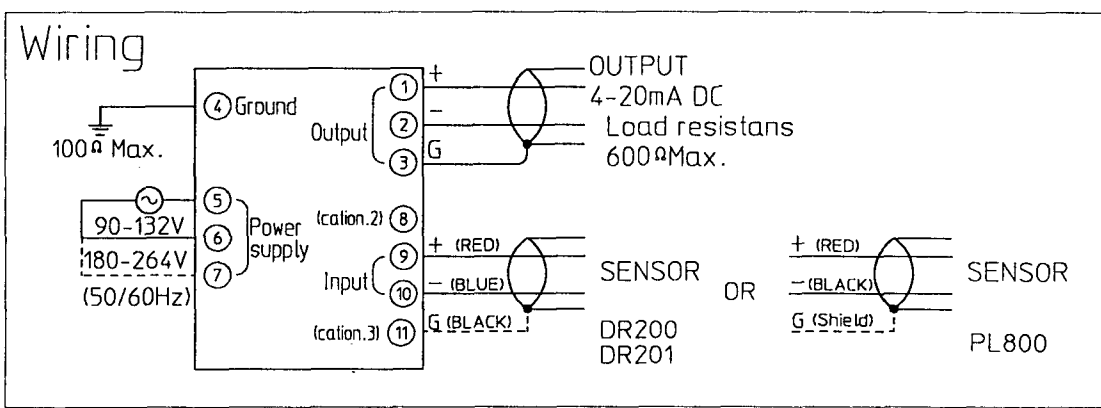
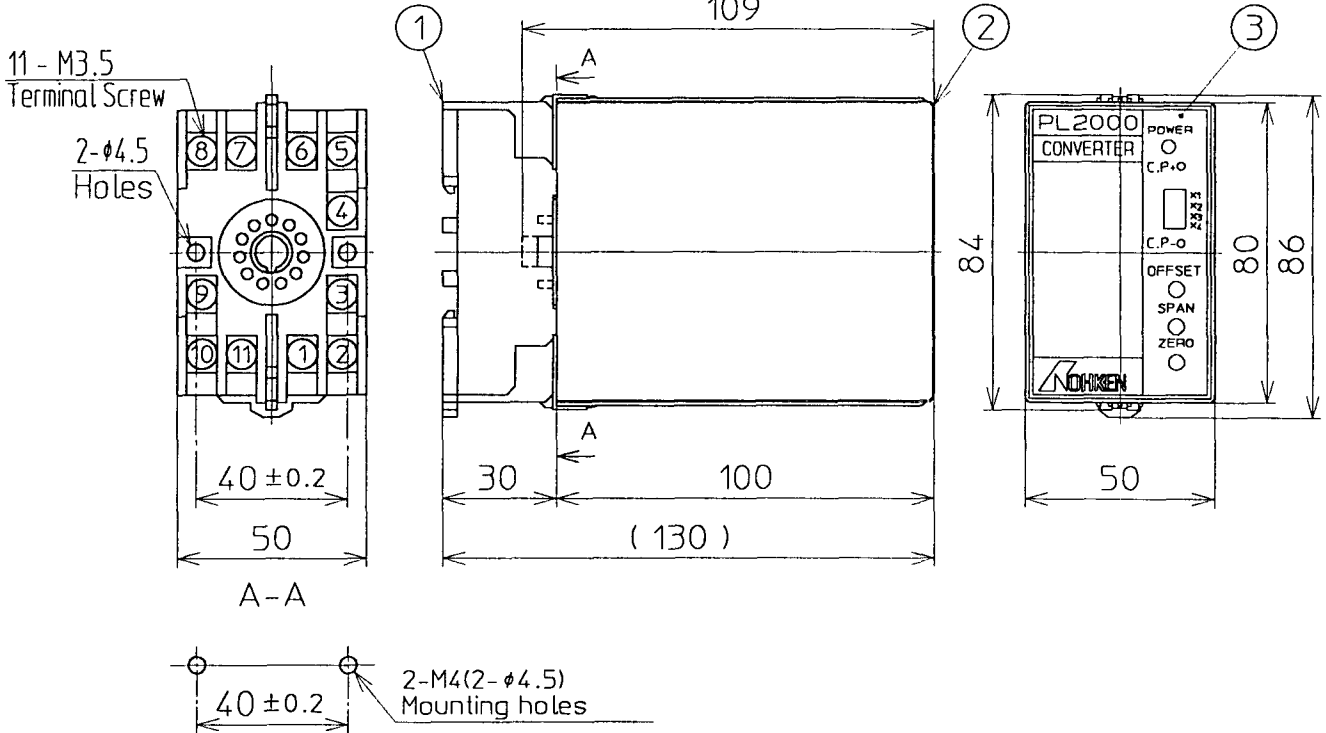


| REVISIONS | | | | |
|-----------|------|-------------|----|--------|
| REV | DATE | DESCRIPTION | BY | APP.BY |
| △ | | | | |
| △ | | | | |
| △ | | | | |

DRAWING NO. CA 181047 △

Socket (caution.1)

Housing



- caution.1: Socket is option parts. (OMRON Corporation 11 PFA or equivalent.)
- caution.2: Do not connect the wire on terminal No.8, because this terminal is intermediate terminal.
- caution.3: Do not connect the black (DR200, DR201) or shielded line of sensor-cable when the measuring liquid is conductive liquid (water, sea water etc). Connect the black (DR200, DR201) or shielded line on terminal No.11 when the measuring liquid is non-conductive liquid.

| Tag.No. | Demension(M) | Qty. |
|---------|--------------|------|
| | | |

| 3 | Name Plate | 1 | PC |
|-------|------------|------|--------------------|
| 2 | Housing | 1 | ABS |
| 1 | Socket | 1 | (be on the market) |
| P.No. | Name | Qty. | Material |

| | | | |
|------------------------------------|---------------------------|-----------------------------------|-------------|
| DATE Aug.26, 1996 | DR.BY <i>H. Mori</i> | TITLE | |
| SCALE 1:2 | CH.BY <i>M. Yamamoto</i> | OUTLINE DRAWING OF CONVERTER UNIT | |
| UNITS MILLIMETER | APP.BY <i>J. Kawabata</i> | MODEL PL2000 | REFERENCE |
| NOHKEN INC. OSAKA, JAPAN | | DRAWING NO. | CA 181047 △ |