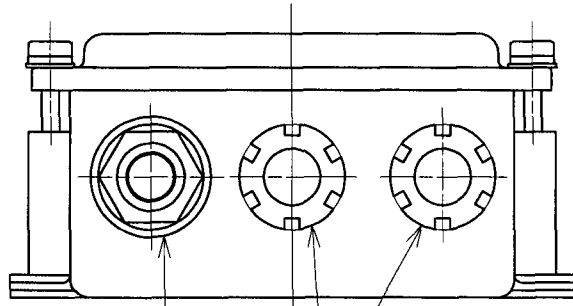
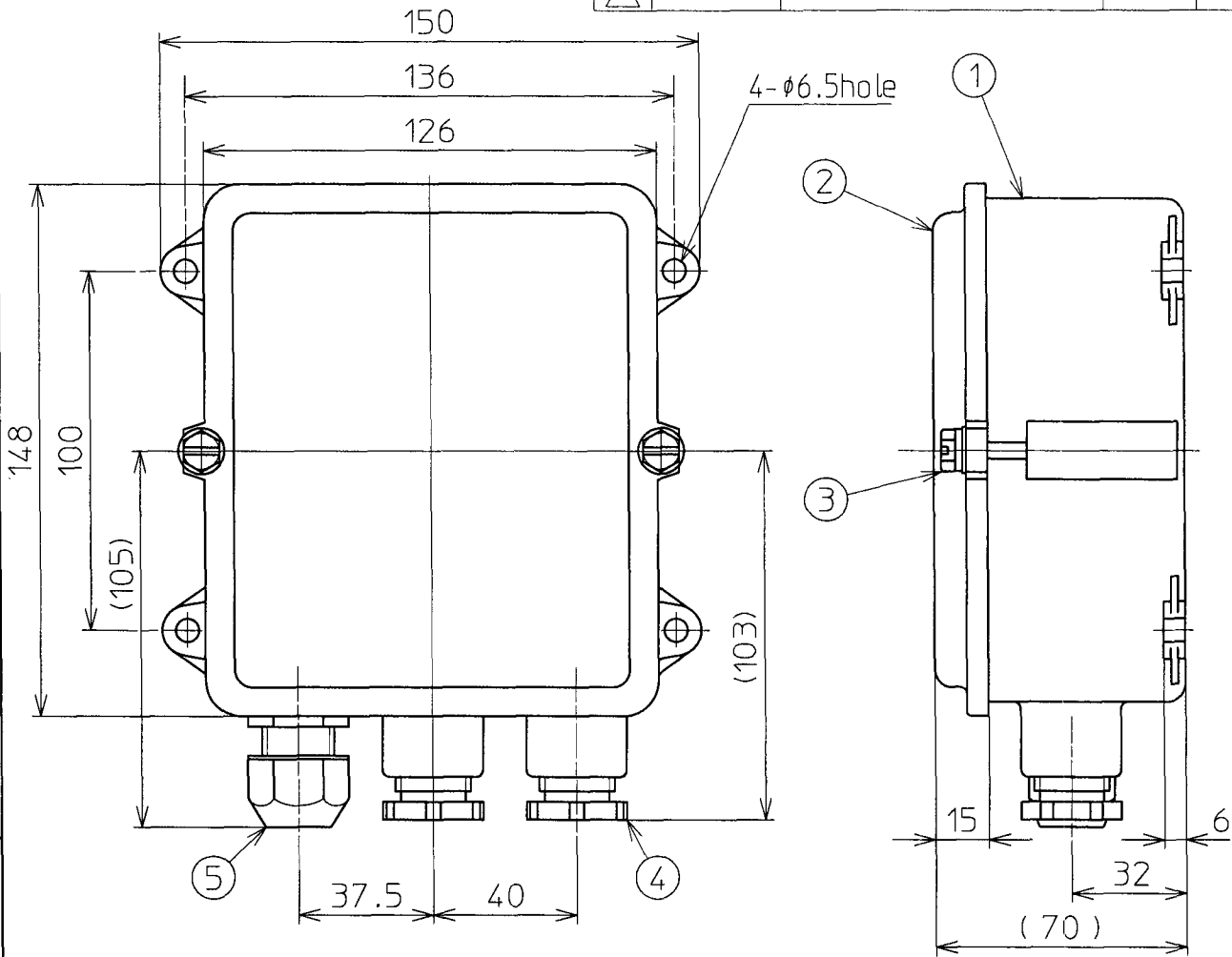


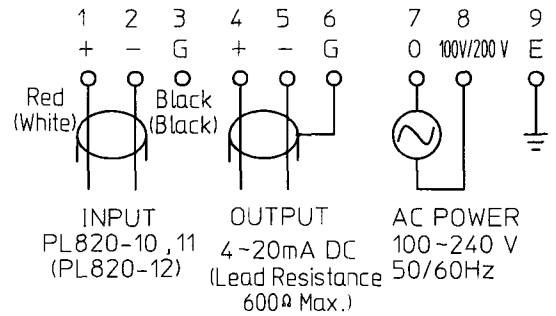
DRAWING NO. AS 000382A

REVISIONS				
REV	DATE	DESCRIPTION	BY	APP. BY
△				
△				
△				



Cable diameter size
φ8.5 ~ φ12.5

Terminal connection



Painting : Silver hammer tone coating

P.No.	Name	Qty.	Material
5	Cable cramp	1	ABS
4	Cable Gland	2	Brass(Nickel Plating)
3	Cover Bolt	2	304 Stainless Steel
2	Cover	1	Aluminium Die-Casting
1	Housing	1	Aluminium Die-Casting

DATE 02-21-'03	DR. BY <i>K. Kato</i>
SCALE N.T.S.	CH. BY <i>K. Matsumura</i>
UNITS MILLIMETERS	APP. BY <i>H. Nozaki</i>

TITLE OUTLINE DRAWING OF CONVERTER UNIT

MODEL PL8500 SHEET NO.



NOHKEN INC.
OSAKA, JAPAN

DRAWING NO. AS 000382A