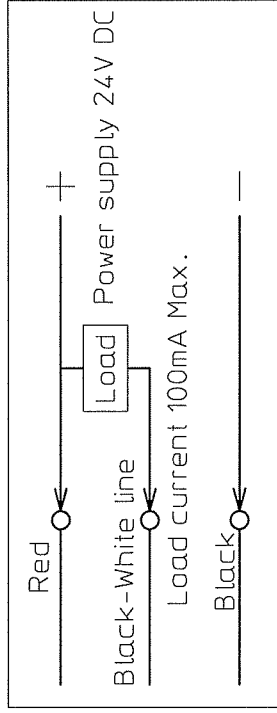


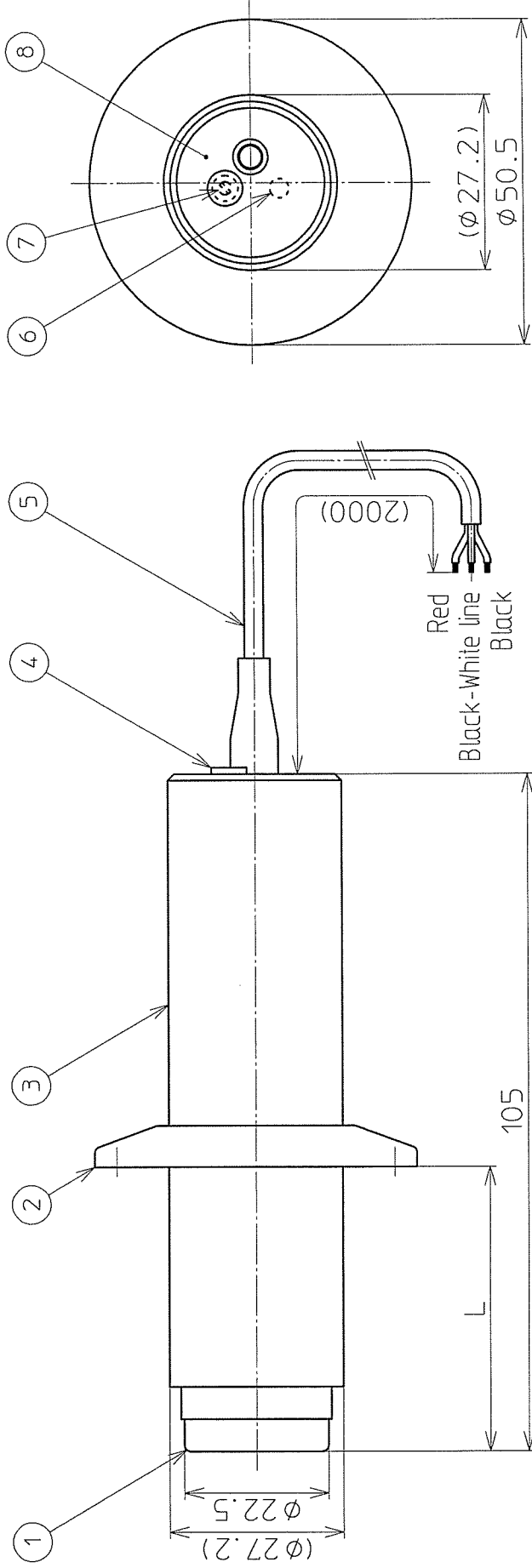
Wiring Diagram



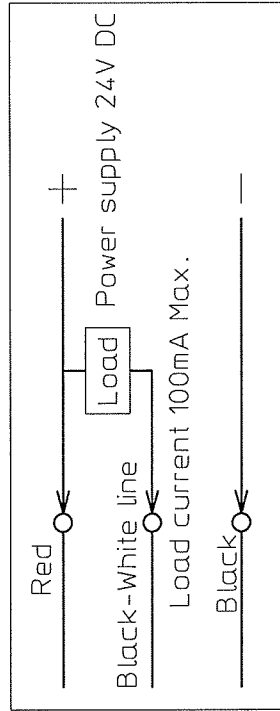
P.No	Name	Qty.	Material	P.No	Name	Qty.	Material
10	Cap	1	PC	5	Body	1	304 stainless steel
9	SENS.ADJ.VR.	1		4	Fixing nut	1	Brass (C3604BD)
8	Power·Operation LED	1		3	Washer	1	Brass (C3710P)
7	Output cable	1	PVC (3X0.2mm ²)	2	Gasket	1	NBR
6	VR.Cap	1	EPDM	1	Vibration diaphragm	1	316 stainless steel

REV	DATE	DESCRIPTION	BY	APP.BY
△				
△				
△				

DATE	2007-06-25	DR.BY	K. Nanno	TITLE	OUTLINE DRAWING OF VIBRATING LEVEL SENSOR
SCALE	1:1	CH.BY	S. Nishida	MODEL	VP11N
UNITS	MILLIMETERS	APP.BY	T. Gawa	REFERENCE	
NOHKEN		NOHKEN INC.		DRAWING NO.	AS 014667
		OSAKA, JAPAN			



Wiring Diagram



Detected parts : #300 buffing
 Fitting Size : EQUIVALENT ISO 11/2S

Dimensions	L = 15 ~ 44
------------	-------------

P.No	Name	Qty.	Material	P.No	Name	Qty.	Material
8	Cap	1	PC	4	VR.Cap	1	EPDM
7	SENS.ADJ.VR.	1		3	Body	1	304 stainless steel
6	Power-Operation LED	1		2	Sanitary Fitting	1	304 stainless steel
5	Output cable	1	PVC (3X0.2mm ²)	1	Vibration diaphragm	1	316 stainless steel

△	DATE	2007-06-25	DR.BY	<i>K. Nishida</i>	TITLE	OUTLINE DRAWING OF VIBRATING LEVEL SENSOR	
△	SCALE	1:1	CH.BY	<i>K. Nishida</i>	MODEL	VP11F	REFERENCE
△	UNITS	MILLIMETERS	APP.BY	<i>T. Kawabata</i>	DRAWING NO.	AS 014668 △	
REV	DATE	DESCRIPTION	BY	APP.BY	NOHKEN INC. OSAKA, JAPAN		
REVISIONS							